

Overview

- Most reliable object detection through barrier principle
- Acquisition of two independent limit values
- Detection of double sheets
- High performance in compact housing



Picture similar



Technical data

General data

Emitter / receiver	Receiver
Scanning range Sd	0 ... 1000 mm
Version	IO-Link
Object size (at Sd = 50 mm)	> 4 cm ²
Hysteresis typ.	5 % Sde
Repeat accuracy	1 mm
Temperature drift	< 2 % Sde
Response time ton	< 2 ms
Release time toff	< 2 ms
Adjustment	qTeach, line-Teach, IO-Link
Sonic frequency	310 kHz
Alignment aid	Light indicator flashing
Power on indication	LED green

Electrical data

Voltage supply range +Vs	12 ... 30 VDC
Current consumption typ.	16 mA
Output circuit	Push-pull
Output current	<100 mA
Voltage drop Vd	<3 VDC
Residual ripple	< 10 % Vs
Short circuit protection	Yes
Reverse polarity protection	Yes, Vs to GND

Communication interface

Interface	IO-Link V1.1
Baud rate	230,4 kBaud (COM 3)
Cycle time	≥ 0.8 ms
Process data length	48 Bit

Communication interface

Process data structure	Bit 0 = SSC1 Bit 1 = SSC2 Bit 3 = alarm Bit 16-31 = 16 Bit measurement
IO-Link port type	Class A
Additional data	Excess gain Operating cycles Operating hours Boot cycles Operating voltage Device temperature Histograms
Adjustable parameters	Time filters LED status indicators Output logic Output function Counter Deactivate the sensor element Find Me function

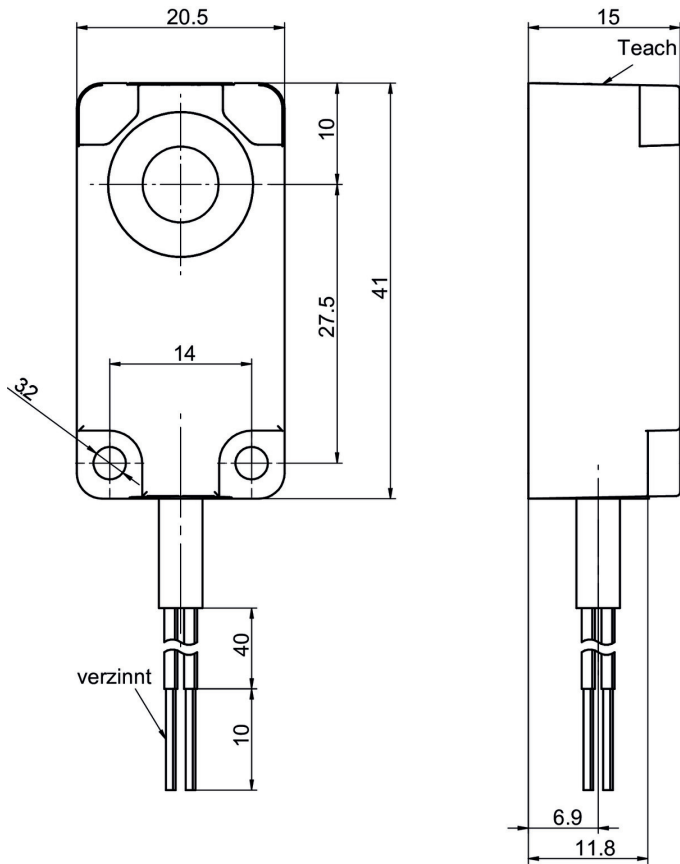
Mechanical data

Design	Rectangular
Housing material	Plastic (ASA, PMMA)
Width / diameter	20.5 mm
Height / length	41 mm
Depth	15 mm
Connection types	Cable 4 pin, 2 m

Ambient conditions

Operating temperature	-25 ... +65 °C
Storage temperature	-25 ... +75 °C
Protection class	IP 67

Dimension drawing



Connection diagram

