

Overview

- Most reliable object detection through barrier principle
- Flexible parameterization and additional diagnostic data thanks to IO-Link
- High performance in compact housing



Picture similar



Technical data

General data

Scanning range Sd	0 ... 250 mm
Reflector position Sde	10 ... 250 mm
Adjusting range reflector (operating range)	± 2,5 % Sde
Adjusting range reflector (limit range)	± 5 % Sde
Version	IO-Link
Repeat accuracy	0.5 mm
Response time ton/toff min	< 10 ms
Response time ton/toff standard	< 25 ms
Temperature drift	< 2 % Sde
Power-up drift	Compensated after 15 min.
Sonic frequency	370 kHz
Adjustment	qTeach, line-Teach, IO-Link
Alignment aid	Light indicator flashing
Light indicator	LED yellow
Power on indication	LED green
Alignment measuring axis	< 2°

Electrical data

Voltage supply range +Vs	12 ... 30 VDC
Current consumption typ.	12 mA
Output circuit	Push-pull
Output current	<100 mA
Voltage drop Vd	<3 VDC
Residual ripple	< 10 % Vs
Short circuit protection	Yes
Reverse polarity protection	Yes, Vs to GND

Communication interface

Interface	IO-Link V1.1
-----------	--------------

Communication interface

Baud rate	38,4 kBaud (COM 2)
Cycle time	≥ 5 ms
Process data length	48 Bit
Process data structure	Bit 0 = SSC1 (distance) Bit 1 = SSC2 (distance) Bit 2 = quality Bit 3 = alarm Bit 5 = SSC4 (counter) Bit 8-15 = scale factor Bit 16-47 = 32 Bit measurement
IO-Link port type	Class A
Additional data	Distance Excess gain Operating cycles Operating hours Boot cycles Operating voltage Device temperature Histograms
Adjustable parameters	Switching point Switching hysteresis Measured value filtering Time filters LED status indicators Output logic Output circuit Counter Beam forming Analog output characteristic Deactivate the sensor element Find Me function

Mechanical data

Design	Rectangular
Housing material	Plastic (ASA, PMMA)

Technical data

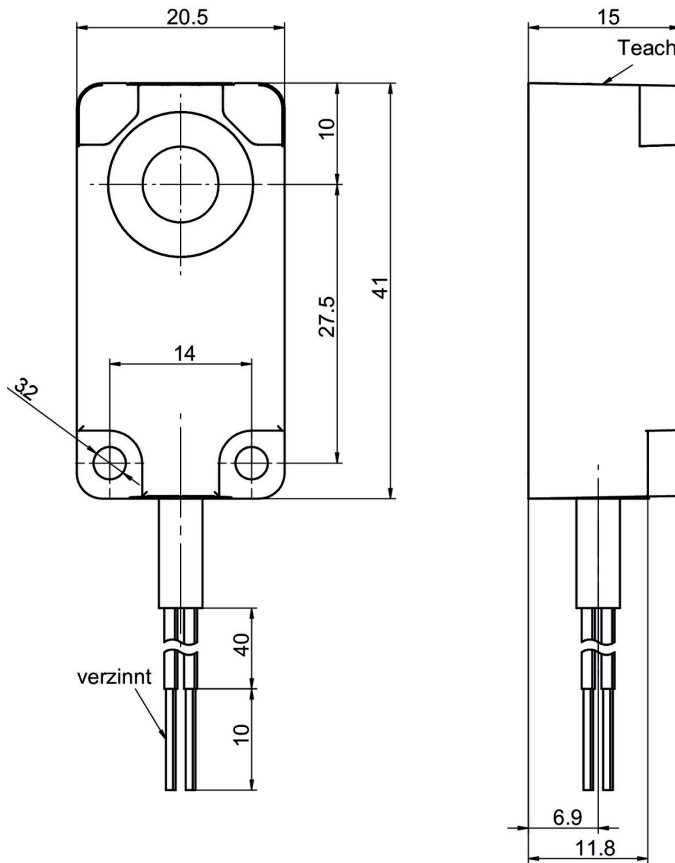
Mechanical data

Width / diameter	20.5 mm
Height / length	41 mm
Depth	15 mm
Connection types	Cable 4 pin, 2 m

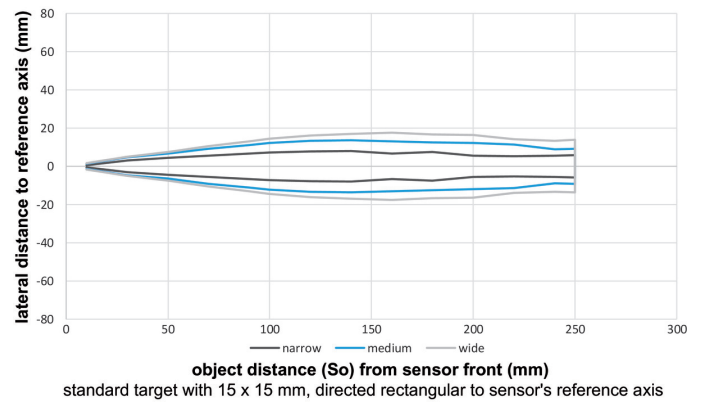
Ambient conditions

Operating temperature	-25 ... +65 °C
Storage temperature	-25 ... +75 °C
Protection class	IP 67

Dimension drawing



Typical sonic cone profile



Connection diagram

