

产品一览

- 有效抑制瞬时干扰
- 扫描范围 100 ... 1000 毫米
- 0.5 ... 4.5 V 电压输出
- 非公路连接器
- 符合非公路 EMC 和环境标准



图片与实际产品类似



技术数据

基本参数

感应范围 Sd	100 ... 1000 mm (nominal)
Scanning range close limit Sdc	100 mm
Scanning range far limit Sde	1000 mm
重复精度	< 0,5 mm (typical) < 1 mm (距离1000 mm)
分辨率	< 0,3 mm < 0,9 mm at 1000 mm
Response time ton/toff	≤ 80 ms (if target is visible, 5.6 V/s slew rate limit)
Hold time (t hold)	700 ms (if target echo disappears)
Maximum output slew rate	≤ 780 ms (from 0.5V to 4.5V/from 4.5V to 0.5V)
温漂	< 物体距离So的2%
电漂移	15分钟后补偿
Sonic frequency	205 ... 235 kHz
认证 / 证书	EN ISO 14982:2009 ^{1) 2)} EN 13309:2010 ^{1) 3)} ISO 13766:2006 ¹⁾ EN 61000-6-2 EN 61000-6-3

电气参数

电源电压范围 +Vs	9 ... 27 VDC (12 VDC nominal system voltage)
最大电流消耗 (无负载)	35 mA
Output type	Analog voltage output
Output (Uout)	0,5 ... 4,5 VDC
Uout at Sdc	0,4 ... 0,6 VDC , nominal
Uout at Sde	4,4 ... 4,6 VDC , nominal
Uout at object too close	0,4 ... 0,6 VDC

电气参数

Uout at object out of range	4,4 ... 4,6 VDC
Uout at sensor error	< 0,25 V
Maximum output current	≤ 10 mA
短路保护	是
反极性保护	是

机械参数

Type	Flange mount with M6 mounting holes (6.6 mm +/- 0.1 mm)
外壳材质	PA (glass fiber reinforced, with aluminium inserts)
Recommended mounting screws	MBN 10105 steel 8.8/10.9 M6 x 1 (Hexagon head screws with flange)
Installation torque	8 ... 10 Nm
重量	40 g
连接方式	AMPSEAL 16, 3 pin
Mating connector housing	TE part #776429-1
Mating connector receptacles	TE part #1924464-1

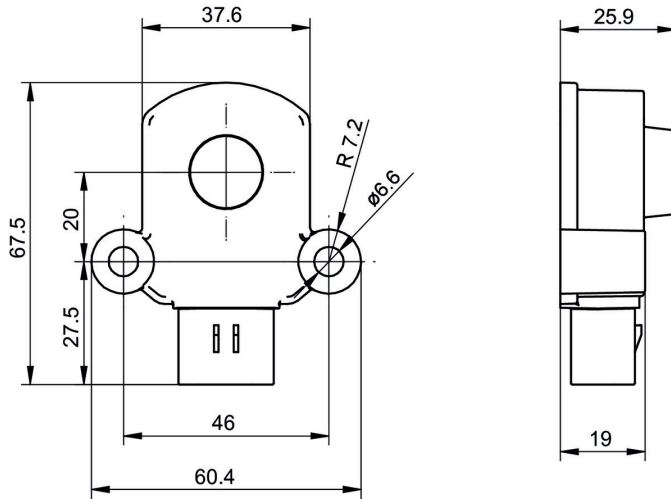
环境条件

工作温度	-25 ... +70 °C
储存温度	-40 ... +85 °C
Altitude	< 2000 m
B10 life	10 000 h / 90 % confidence
防护等级	ISO 20653:2013 (IP 68/69K (50bar))
Random vibration	IEC 60068-2-64 (10 Hz ... 2000 Hz, 2.68 Grms)
Operating Mechanical Shock	IEC 60068-2-27 (50 g)

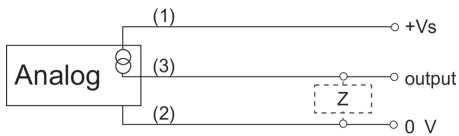
备注

- 1) only for use in machines with centralized load dump suppression (35 V @ 12 VDC vehicle power)
- 2) 不得用于直接控制和修改设备的功能状态
- 3) not for operations during engine start phase in 12 V systems

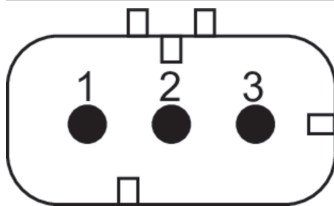
尺寸图



接线图



针脚定义



典型声锥纵面

