

**Overview**

- Best measuring performance due to precise measuring principle
- Parallel output signal to the IO-Link channel through Dual Channel
- Flexible parameterization and additional diagnostic data thanks to IO-Link
- Shortest blind zone in its class
- High performance in compact housing



**Technical data**

**General data**

Scanning range Sd	15 ... 500 mm
Scanning range close limit Sdc	15 ... 500 mm
Scanning range far limit Sde	15 ... 500 mm
Version	IO-Link dual channel Multiplex version
Hysteresis typ.	4 % Sde
Repeat accuracy	< 0.5 mm
Resolution	< 0.3 mm
Response time ton/toff standard	< 40 ms
Response time ton/toff min	< 16 ms
Temperature drift	> 50 mm < 2 % of distance to target Sde < 50 mm ± 1 mm
Power-up drift	Compensated after 15 min.
Sonic frequency	290 kHz
Adjustment	line-Teach, IO-Link
Light indicator	LED yellow
Power on indication	LED green
Alignment measuring axis	< 2°

**Electrical data**

Voltage supply range +Vs	12 ... 30 VDC
Current consumption typ.	35 mA
Output circuit	Voltage output
Output signal	0 ... 10 V / 10 ... 0 V
Output current	100 mA
Load resistance	> 10 kOhm
Voltage drop Vd	<3 VDC
Residual ripple	< 10 % Vs
Short circuit protection	Yes

**Electrical data**

Reverse polarity protection Yes, Vs to GND

**Communication interface**

Interface	IO-Link V1.1
Baud rate	38,4 kBaud (COM 2)
Cycle time	≥ 8 ms
Process data length	48 Bit
Process data structure	Bit 0 = SSC1 (distance) Bit 1 = SSC2 (distance) Bit 2 = quality Bit 3 = alarm Bit 5 = SSC4 (counter) Bit 8-15 = scale factor Bit 16-47 = 32 Bit measurement
IO-Link port type	Class A
Additional data	Distance Excess gain Operating cycles Operating hours Boot cycles Operating voltage Device temperature Histograms
Adjustable parameters	Switching point Switching hysteresis Measured value filtering Time filters LED status indicators Output logic Output circuit Counter Beam forming Analog output characteristic Deactivate the sensor element Find Me function
IO-Link	Yes

**Technical data**

**Mechanical data**

Design	Cylindrical threaded
Housing material	Brass nickel plated
Width / diameter	12 mm
Height / length	50 mm
Connection types	Cable 5 pin, 2 m

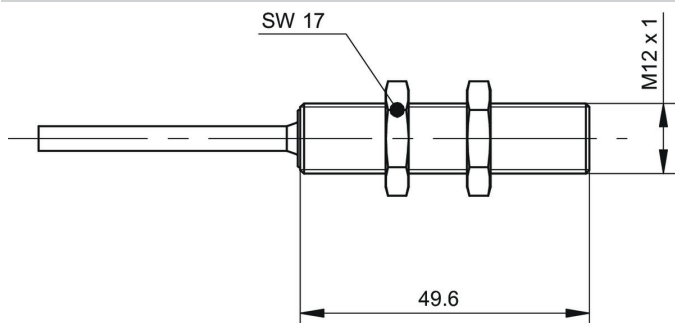
**Mechanical data**

Tightening torque max.	15 Nm (Front: 10 Nm)
------------------------	----------------------

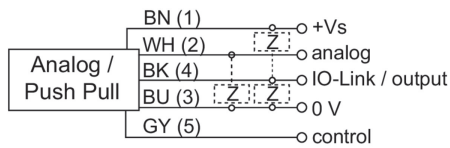
**Ambient conditions**

Operating temperature	-25 ... +65 °C
Storage temperature	-40 ... +75 °C
Protection class	IP 67

**Dimension drawing**



**Connection diagram**



**Typical sonic cone profile**

