

# V CXG.2-82C.I

Gigabit Ethernet, 8 Megapixel, Color

Article number: 11708127

## Overview

- 2848 × 2832 px
- Sony IMX546
- 2/3" CMOS
- 15 fps
- Gigabit Ethernet



Picture similar



GEN*i*CAM



## Technical data

### Sensor information

Sensor	Sony IMX546 Gen4
Mono/Color	Color
Sensor type	2/3" CMOS
Shutter type	Global shutter
Resolution	2848 × 2832 px
Pixel size	2.74 × 2.74 μm
Exposure time	0.001 ... 60000 ms

### Data quality (EMVA 1288 typical)

Dark noise	2.38 e-
Saturation capacity	9266 e-
Dynamic range	69.7 dB
Signal-to-noise ratio	39.7 dB
Quantum efficiency	44.6 % @ 465 nm 51.5 % @ 535 nm 39.8 % @ 630 nm

### Acquisition formats

Image formats, interface frame rate max.	Full Frame, 2848 × 2832 px, max. 15 fps Binning 2×2, 1424 × 1416 px, max. 16 fps Binning 2×1, 1424 × 2832 px, max. 16 fps Binning 1×2, 2848 × 1416 px, max. 16 fps
Image formats, acquisition frame rate max. (Burst Mode)	Full Frame, 2848 × 2832 px, max. 16 fps

### Acquisition formats

Pixel formats	BayerRG8 BayerRG10 BayerRG12 BayerRG12 Packed Mono8 Mono10 Mono12 Mono12 Packed RGB8 BGR8
---------------	--

### Image preprocessing

Analog controls	Gain (0 ... 48 dB) Offset (0 ... 255 LSB 12 Bit)
Color models	Mono Raw Bayer RGB BGR
Color processing	Integrated color processor for high quality color calculation

### Camera features

Basic Functions	Exposure Gain / Color Gain Trigger / Exposure Active (Flash) Binning 2x2 Partial Scan Offset Free Running Mode (Live Image)
-----------------	---

# V CXG.2-82C.I

Gigabit Ethernet, 8 Megapixel, Color

Article number: 11708127

## Technical data

### Camera features

Auto Functions	Exposure Auto Gain Auto White Balance Auto Color Transformation Auto
Image Pre-processing	Image Flipping (X/Y) Color Processing (RGB, BGR, Mono) Color Enhancement (with optimized ColorTransformationMatrix) LUT / Gamma
Acquisition / Interface	Burst Mode Adjustable Framerate Device Link Throughput Limit Internal Image Buffer
Synchronization	free running trigger
Trigger sources	Hardware Software ActionCommand
Trigger delay	0 ... 2 sec, tracking and buffering of up to 256 trigger signals
Process Synchronization	Events Timer Trigger Delay Debouncer Counter Sequencer Trigger via Action CMD (GigE) Additional Output Modes (e.g. Trigger Ready) PWM (PWM Duration / PWM Duty Cycle) 4 power outputs with up to 120 W (max. 48 V / 2.5 A) Selectable Output format (e.g. Tri State, Push Pull) Chunk data inside transferred image Encoder support via Counter End trigger source
Additional Functions	User Set Integrated temperature sensor Readable additional information (e.g. sensor information)
Calibration data	Integrated color correction matrix (3000 K, 5000 K, 6500 K, 9500 K, and user defined) Camera calibration data (user defined storage for intrinsic / extrinsic camera parameters, and geometry distortion values) Customer data storage (128 bytes user defined)
Internal image buffer	185 MB 8 image (Trigger Mode) 1 image (Free Running Mode)

### Interfaces and connectors

Data interface	Gigabit Ethernet, Transfer rate 1000 Mbits/sec, Fast Ethernet, Transfer rate 100 Mbits/sec, Connector: M12 / 8 pol x-coded, screwable type
Process interface	M12 / 12 pins a-coded (SACC-CI-M12MS-12CON-L180)
Power supply	via M12/12 pins a-coded or Power over Ethernet (PoE)

### Mechanical data

Lens mount	C-mount
Width	40 mm
Height	40 mm
Depth	50.8 mm
Weight	≤ 137 g
Material	aluminum, hard-anodized

### Electrical data

Voltage supply range +Vs	12 ... 24 V DC (external power supply) 36 ... 57 V DC (Power over Ethernet)
Power consumption	Approx. 2.9 W @ 12 VDC and 15 fps Approx. 3.5 W @ 48 VDC (PoE) and 15 fps

### Non-volatile memory

Flash memory size	128 kB
-------------------	--------

### Environmental conditions

Operating temperature	0 ... +65 ° @ T = measurement point
Humidity	10 ... 90 % (non-condensing)
Protection class	IP 40 IP 54 (with mounted tube and cable) IP 65 (with mounted tube and cable) IP 67 (with mounted tube and cable) IP 69K (with stainless steel housing accessory)

### Digital I/Os

Lines	4 input lines 4 power output lines with pulse width modulation (PWM) (max. 48 V / max. 2,5 A)
Output line sources	Off Line 0-3 Exposure Active Timer1Active Readout Active UserOutput 1-4 TriggerReady

### Conformity

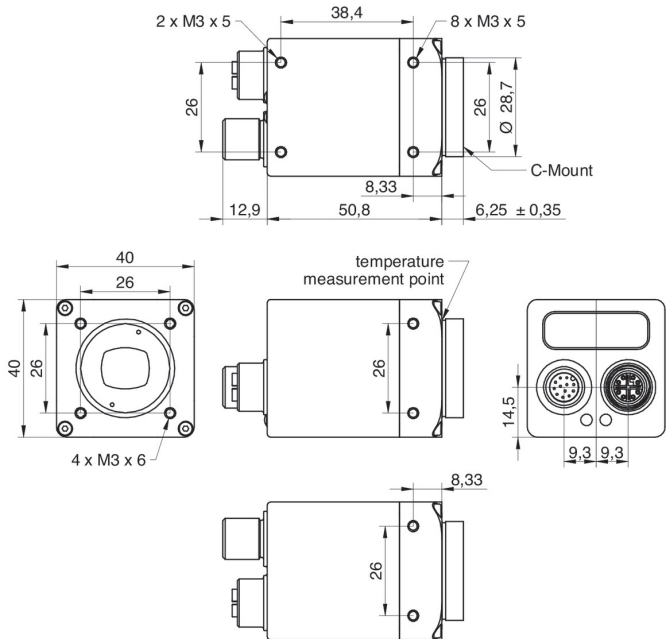
Conformity	CE RoHS
------------	------------

# VCXG.2-82C.I

Gigabit Ethernet, 8 Megapixel, Color

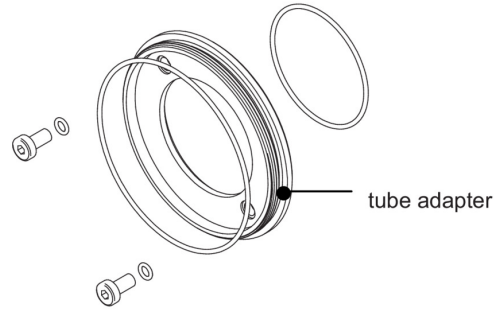
Article number: 11708127

## Dimension drawing



## Principle

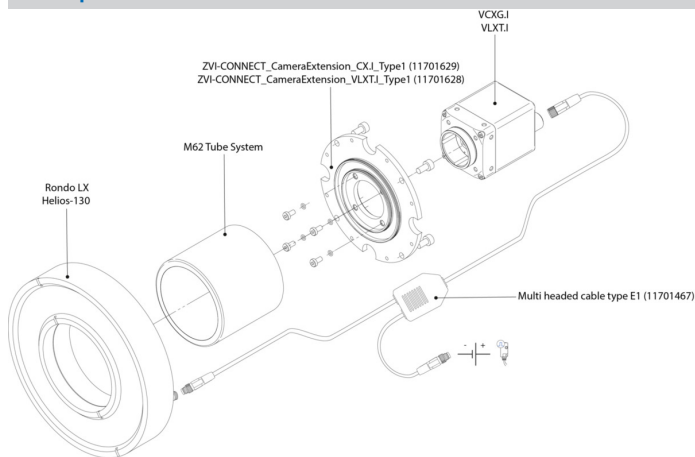
Optional accessories for protection class IP 65/67:



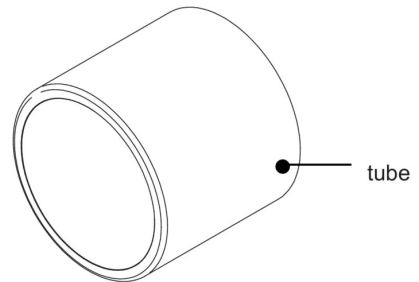
tube adapter

- hard-anodized, incl. sealing and screws  
 Ø 49,5 mm (VCXG.I 11185373)  
 Ø 65 mm (VCXG.I 11185377)  
 Ø 95 mm (VCXG.I 11704311)  
 Ø 65 mm (VLXT 11193125)  
 Ø 95 mm (VLXT.EF 11704315)

## Principle

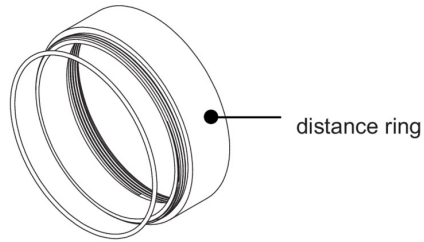


tube



- hard-anodized, cover glass PMMA  
 Ø 49,5 mm, Length 44 mm (11185370)  
 Ø 65 mm, Length 58 mm (11185374)  
 Ø 95 mm, length 70 mm (11704312)
- hard-anodized, tempered laminated safety glass  
 Ø 49,5 mm, Length 44 mm (11701124)  
 Ø 65 mm, Length 58 mm (11701125)

## Principle



distance ring

- hard-anodized, incl. sealing
  - Ø 49,5 mm, Length 6 mm (11185372)
  - Ø 49,5 mm, Length 12 mm (11185371)
  - Ø 49,5 mm, Length 36 mm (11211571)
  
  - Ø 65 mm, Length 6 mm (11185376)
  - Ø 65 mm, Length 12 mm (11185375)
  - Ø 65 mm, Length 36 mm (111988906)
  
  - Ø 95 mm, length 6 mm (11704395)
  - Ø 95 mm, length 12 mm (11704397)
  - Ø 95 mm, length 36 mm (11704394)