

Overview

- measuring mode: edges, center, width
- 350 mm
- 500 mm
- pulsed infrared diode
- Teach-in
- connector M12 8 pin, rotatable
- 55 °C
- IP 67



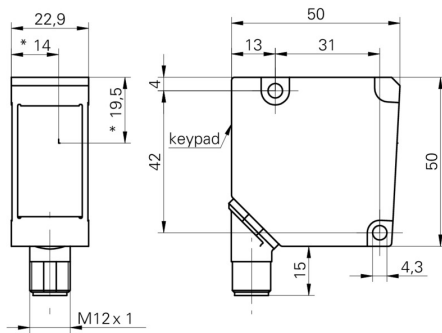
Picture similar



Technical data

General data		Electrical data	
Type	Measuring mode: edges, center, width	Output signal	4 ... 20 mA
Version	With filter for transparent objects	Switching output	PNP
Measuring field size	350 mm	Output function	Out 1 / Alarm
Measuring distance (to object)	500 mm	Output current	< 100 mA
Measuring frequency	500 Hz	Interface	Analog and RS485
Resolution	< 0.35 mm	Baud rate	19200, adjustable
Smallest object recognizable	4 mm	Reverse polarity protection	Yes, Vs to GND
Linearity error relative	< 0.3 %	Mechanical data	
Light source	Pulsed infrared diode	Width / diameter	23 mm
Wave length	880 nm	Type	Rectangular
Adjustment	Teach-in	Housing material	Die-cast zinc
Electrical data		Front (optics)	Glass
Response time	< 2 ms	Connection types	Connector M12 8 pin, rotatable
Voltage supply range +Vs	15 ... 28 VDC	Ambient conditions	
Current consumption max. (no load)	150 mA	Operating temperature	0 ... +55 °C
		Protection class	IP 67

Dimension drawing



- * receiver axis

Connection diagram

