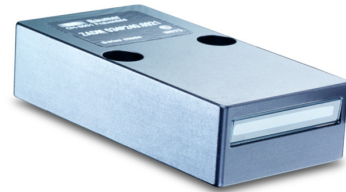


Overview

- measuring mode: edges, width
- 22 mm
- 0 ... 200 mm
- pulsed infrared diode
- analog
- Teach-in
- connector M8 4 pin
- 55 °C
- IP 67



Picture similar

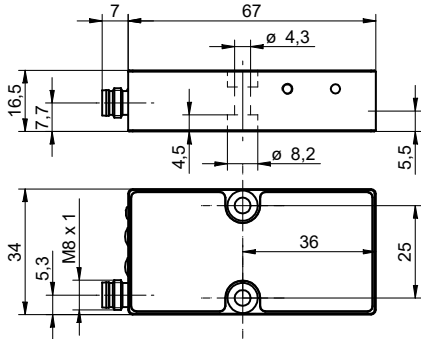


Technical data

General data		Electrical data	
Type	Measuring mode: edges, width	Response time	< 0.9 ms
Measuring field size	22 mm	Voltage supply range +Vs	12 ... 28 VDC
Measuring range towards object	0 ... 200 mm	Current consumption max. (no load)	120 mA
Measuring frequency	1100 Hz	Output circuit	Analog
Resolution	< 0.1 mm (S = 0 ... 150 mm) 0.2 mm (S = 150 ... 200 mm)	Output signal	4 ... 20 mA
Repeat accuracy	0.1 mm (S = 0 ... 150 mm) 0.2 mm (S = 150 ... 200 mm)	Reverse polarity protection	Yes, Vs to GND
Smallest object recognizable	3 mm	Short circuit protection	Yes
Linearity error	± 1.75 mm (S = 0 ... 200 mm) ± 1 mm (S = 50 ... 150 mm)	Mechanical data	
Power on indication	LED green	Width / diameter	34 mm
Output indicator	LED yellow	Type	Rectangular, front view
Light source	Pulsed infrared diode	Housing material	Aluminum
Wave length	880 nm	Front (optics)	Glass
Adjustment	Teach-in	Connection types	Connector M8 4 pin
		Ambient conditions	
		Operating temperature	0 ... +55 °C
		Protection class	IP 67

2022-08-23 The product features and technical data specified do not express or imply any warranty. Technical modifications subject to change.

Dimension drawing



Connection diagram

