

ZVI-ARCUSM_24VDC_WEIß_120°

ARCUS-M white 24VDC with M8 connector

Article number: 11130183

overview

- flashable LED dark field illumination
- white
- radiation angle 120°
- 24 V
- voltage-driven (equipped with integrated pre-resistor)
- M8/4-pin connector (cable has to be ordered separately)
- diameter: 120 mm



technical data

general data

manufacturer BÜchner Lichtsysteme GmbH

illumination data

color white

illumination characteristic direct

illumination mode flashable

electrical data

connectors M8/4-pin male connector

illumination control voltage-driven (equipped with integrated pre-resistor)

current 0,3 A

current at flash mode ≤ 0,6 A

voltage at flash mode ≤ 48 V DC

electrical data

duty cycle 0-10%

maximum flash duration 1 ms

mechanical data

construction design dark field illumination

dimensions Ø 120 mm

dimensions luminous area Ø external 74 mm Ø internal 68 mm

material of cover glass acrylic

weight ≤ 100 g

material aluminum (anodized, black)

environmental conditions

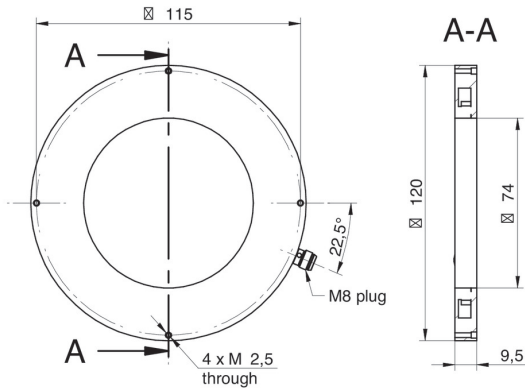
operating temperature max. 50 °C

ZVI-ARCUSM_24VDC_WEIß_120°

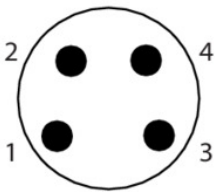
ARCUS-M white 24VDC with M8 connector

Article number: 11130183

dimension drawing



pin assignment



M8	signal
1:	LED +24V (pulsing 24-48 V)
2:	N.C.
3:	LED - (GND)
4:	N.C.