

# ZVI-CONNECT\_CameraExtension\_CX.I\_Type1

Article number: 11701629

## overview

- mounting adapter for illuminations Rondo LX and HELIOS-130 to VCXG.I cameras
- enables use of M62 tube system



## technical data

### mechanical data

external diameter	94 mm
height	4 mm
weight	≤ 80 g

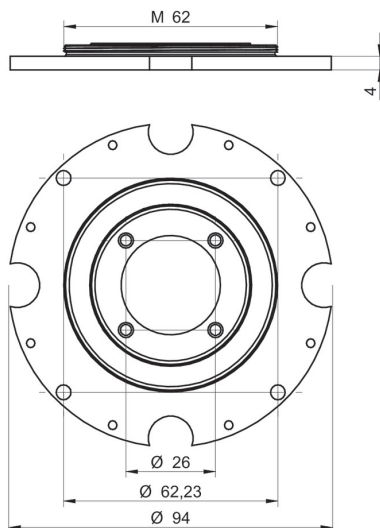
### mechanical data

thread	M62
material	aluminum

### environmental conditions

protection class	IP 65/67 (with mounted tube and cable)
------------------	--

## dimension drawing



## Principle

