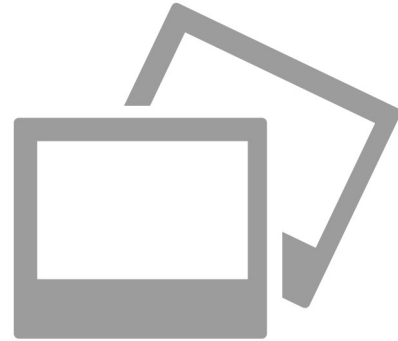


Overview

- flashable LED back light
- white
- diffuse
- active area: 51,8 mm x 47,6 mm
- 24 V
- SC type - optimized for pulsed operation (illumination controller is required)
- stainless steel M8/4-pin connector (cable has to be ordered separately)
- dimensions: 65 mm x 65 mm x 25,5 mm housing
- IP65 protection with special housing design to improve washdown properties (elimination of cooling fins, concave cover glass)



Technical data

General data

Manufacturer Büchner Lichtsysteme GmbH

Illumination data

Color white
 Illumination characteristic diffuse
 Illumination mode flashable

Electrical data

Connectors M8/4-pin male connector, stainless steel
 Illumination control SC type: for use in conjunction with a controller
 Current 0.055 A
 Current at flash mode ≤ 0.25 A
 Duty cycle 0-10%

Electrical data

Maximum flash duration 1 ms

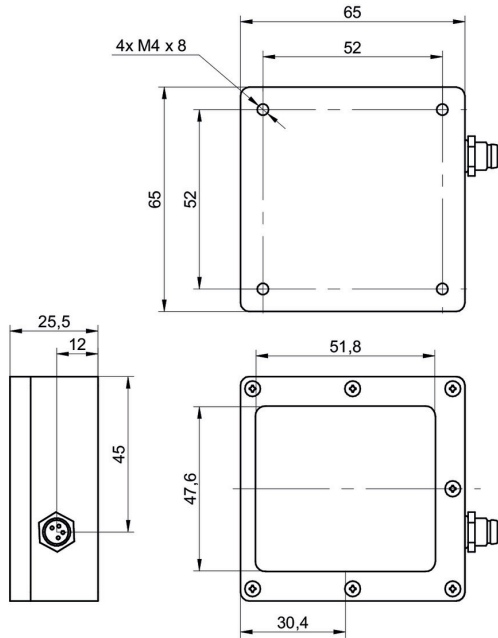
Mechanical data

Construction design back light
 Dimensions 65 mm x 65 mm x 25,5 mm
 Dimensions luminous area 51,8 mm x 47,6 mm
 Material of cover glass acrylic
 Material aluminium milled, silver anodized

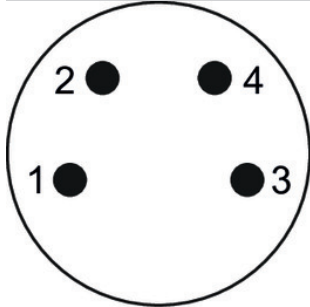
Environmental conditions

Operating temperature max. 50 °C
 Conformity CE
 RoHS
 Protection class IP 65

Dimension drawing



Pin assignment



M8	signal
1:	N.C.
2:	N.C.
3:	LED - (GND)
4:	LED +