

ZVI-LED Spot5WFL-B/SPS-220

Article number: 11175036

overview

- LED spot light
- blue
- 19... 30 V
- cable length: 0,15 m
- diameter: 34 mm
- adjustable glass optics for spot or broad light
- integrated flash controller and potentiometer (brightness and exposure time)
- direct connection to M12/12-pin connector thanks to T-adaptor cable (ZVI-LUMIMAX T1-Adapter cable illumination (11175008))
- maximum exposure time 220 μ s (maximum frequency 35 Hz)



technical data

general data

manufacturer iiM AG

illumination data

color blue

illumination characteristic direct

illumination mode flashable

electrical data

connectors M16/12-pin male connector

illumination control integrated illumination control

voltage supply range +Vs 19 ... 30 VDC

current at flash mode $\leq 0,2$ A

maximum flash duration 0,22 ms

mechanical data

construction design spot light

max. outer diameter 36 mm

height 75 mm

max. length (excl. thread) 92 mm

dimensions luminous area $\varnothing 30$ mm

cable length [m] 0,15 m

weight ≤ 150 g

filter thread M30,5 x 0,5

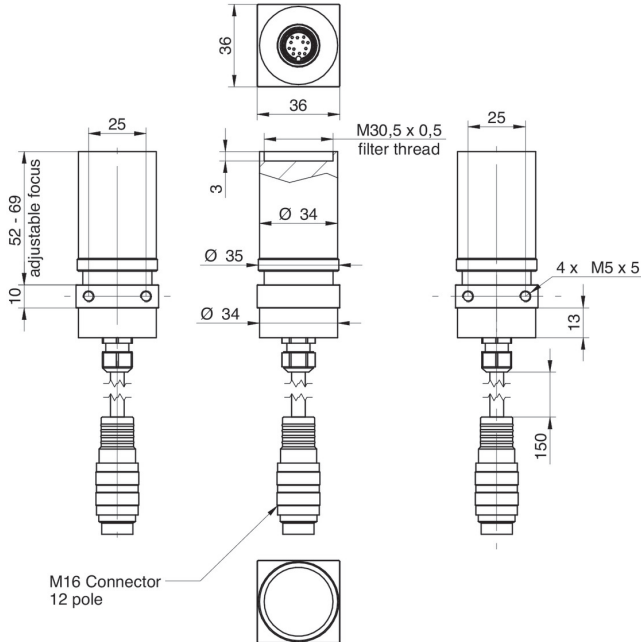
material aluminum

environmental conditions

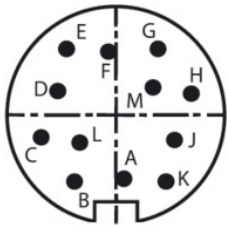
operating temperature 5 ... +45 °C

protection class IP 40

dimension drawing



pin assignment



LUMIMAX® Spot5W-FL

A+K:	GND	F:	+ Trigger SPS /TTL
B+L:	+Vs	G:	GND Trigger
C:	-	H:	Shield
D:	Brightness Control 1...10 VDC	I:	-
E:	-	J:	-