

ZVI-LED Spot5WFL-R/SPS-220

Article number: 11175034

overview

- LED spot light
- red
- 19... 30 V
- cable length: 0,15 m
- diameter: 34 mm
- adjustable glass optics for spot or broad light
- integrated flash controller and potentiometer (brightness and exposure time)
- direct connection to M12/12-pin connector thanks to T-adpater cable (ZVI-LUMIMAX T1-adapter cable (11175008))
- maximum exposure time 220 µs (maximum frequency 35 Hz)



technical data

general data

manufacturer iiM AG

illumination data

color red (625 nm)

illumination characteristic direct

illumination mode flashable

electrical data

connectors M16/12-pin male connector

illumination control integrated illumination control

voltage supply range +Vs 19 ... 30 VDC

current at flash mode ≤ 0,2 A

maximum flash duration 0,22 ms

mechanical data

construction design spot light

max. outer diameter 36 mm

height 75 mm

max. length (excl. thread) 92 mm

dimensions luminous area Ø 30 mm

cable length [m] 0,15 m

weight ≤ 150 g

filter thread M30,5 x 0,5

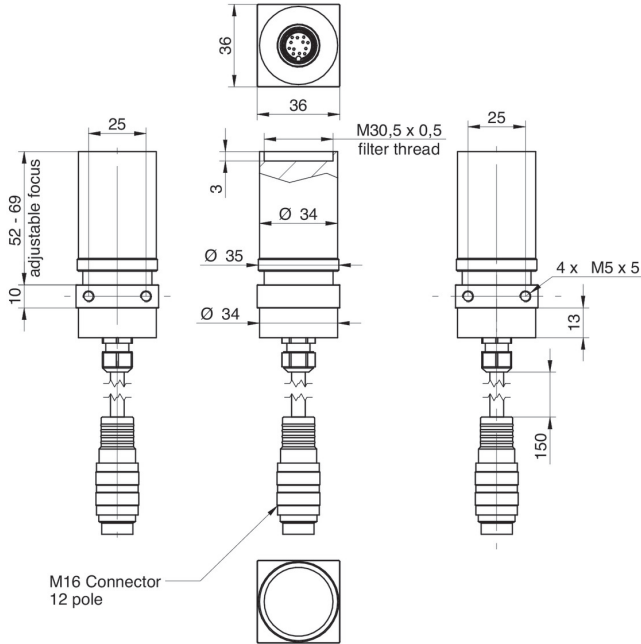
material aluminum

environmental conditions

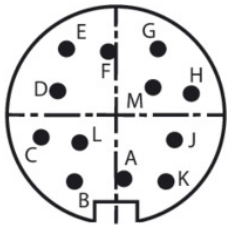
operating temperature 5 ... +45 °C

protection class IP 40

dimension drawing



pin assignment



LUMIMAX® Spot5W-FL

A+K:	GND	F:	+ Trigger SPS /TTL
B+L:	+Vs	G:	GND Trigger
C:	-	H:	Shield
D:	Brightness Control 1...10 VDC	I:	-
E:	-	J:	-