

ZVI-LOGO2_24VDC_ROT617NM_30°

LOGO-2 red 617nm 30° 24VDC with M8 connector

Article number: 11130184

overview

- flashable LED bar light
- red (617 nm)
- radiation angle 30°
- 24 V
- voltage-driven (equipped with integrated pre-resistor)
- M8/4-pin connector (cable has to be ordered separately)
- dimensions: 74 mm × 15 mm × 17 mm housing



technical data

general data

manufacturer: Büchner Lichtsysteme GmbH

illumination data

color: red (617 nm)

illumination characteristic: direct

illumination mode: flashable

electrical data

connectors: M8/4-pin male connector

illumination control: voltage-driven (equipped with integrated pre-resistor)

current: 0,2 A

current at flash mode: ≤ 0,2 A

electrical data

voltage at flash mode: ≤ 48 V DC

duty cycle: 0-10%

maximum flash duration: 1 ms

mechanical data

construction design: bar light

dimensions: 74 mm × 15 mm × 17 mm

dimensions luminous area: 59,4 mm × 10,5 mm

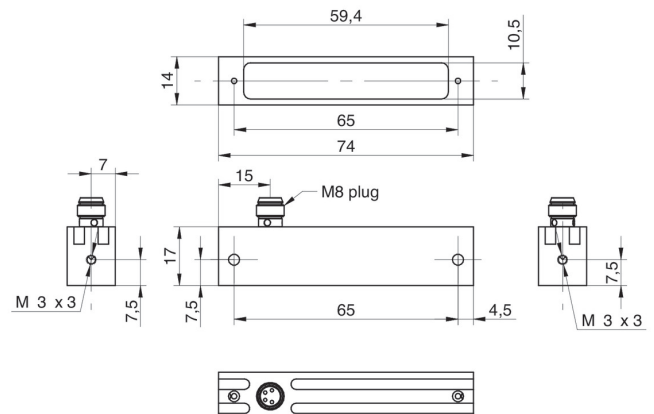
weight: ≤ 30 g

material: aluminum (anodized)

environmental conditions

operating temperature: max. 50 °C

dimension drawing

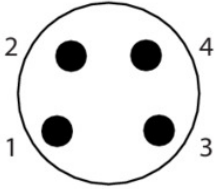


ZVI-LOGO2_24VDC_ROT617NM_30°

LOGO-2 red 617nm 30° 24VDC with M8 connector

Article number: 11130184

pin assignment



M8	signal
1:	LED +24V (pulsing 24-48 V)
2:	N.C.
3:	LED - (GND)
4:	N.C.