

# ZVI-RONDOLX\_24VDC\_IR850NM\_120°

RONDO-LX IR 850nm 120° 24VDC with M8 connector

Article number: 11130150

## overview

- flashable LED ring light
- infrared (850 nm)
- radiation angle 120°
- 24 V
- voltage-driven (equipped with integrated pre-resistor)
- M8/4-pin connector (cable has to be ordered separately)
- diameter: 101 mm



## technical data

### general data

manufacturer Büchner Lichtsysteme GmbH

### illumination data

color infrared

illumination characteristic direct

illumination mode flashable

### electrical data

connectors M8/4-pin male connector

illumination control voltage-driven (equipped with integrated pre-resistor)

current 0,35 A

current at flash mode ≤ 0,35 A

voltage at flash mode ≤ 48 V DC

duty cycle 0-10%

### electrical data

maximum flash duration 1 ms

### mechanical data

construction design ring light

dimensions Ø 101 mm

height 24 mm

dimensions luminous area Ø external 101 mm Ø internal 67 mm

material of cover glass acrylic

weight ≤ 160 g

material aluminum (anodized)

### environmental conditions

operating temperature max. 50 °C

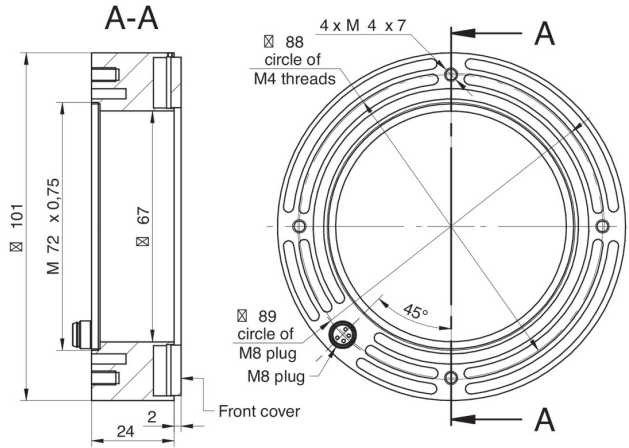
protection class IP 51

# ZVI-RONDOLX\_24VDC\_IR850NM\_120°

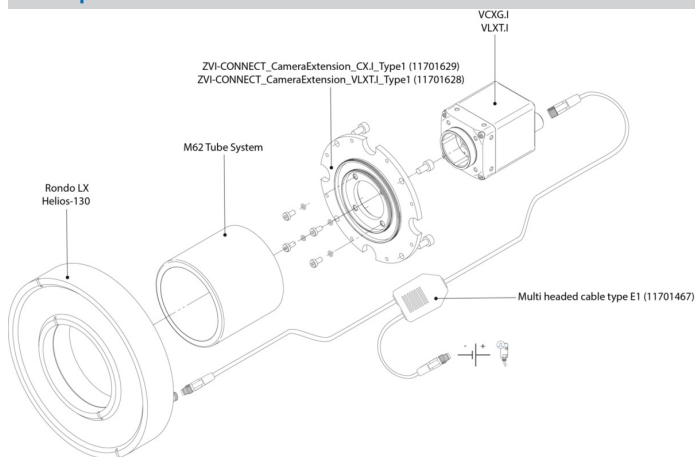
RONDO-LX IR 850nm 120° 24VDC with M8 connector

Article number: 11130150

## dimension drawing



## Principle

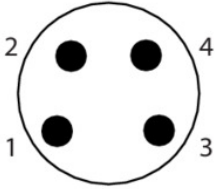


## ZVI-RONDOLX\_24VDC\_IR850NM\_120°

RONDO-LX IR 850nm 120° 24VDC with M8 connector

Article number: 11130150

### pin assignment



M8	signal
1:	LED +24V (pulsing 24-48 V)
2:	N.C.
3:	LED - (GND)
4:	N.C.