

ZVI-TOPLINED1_24VDC_SHWEIß_120°

TOP-LINE-D1 SH white 120° 24VDC M8 1-canal

Article number: 11130186

overview

- flashable LED bar light
- SH white
- radiation angle 120°
- 24 V
- voltage-driven (equipped with integrated pre-resistor)
- M8/4-pin connector (cable has to be ordered separately)
- dimensions: 78 mm × 25 mm × 23 mm housing



technical data

general data

manufacturer BÜchner Lichtsysteme GmbH

illumination data

color SH white

illumination characteristic direct

illumination mode flashable

electrical data

connectors M8/4-pin male connector

illumination control voltage-driven (equipped with integrated pre-resistor)

current 0,3 A

current at flash mode ≤ 0,42 A

electrical data

voltage at flash mode ≤ 48 V DC

duty cycle 0-10%

maximum flash duration 1 ms

mechanical data

construction design bar light

dimensions 78 mm × 25 mm × 23 mm

material of cover glass acrylic

weight ≤ 80 g

material aluminum (anodized)

environmental conditions

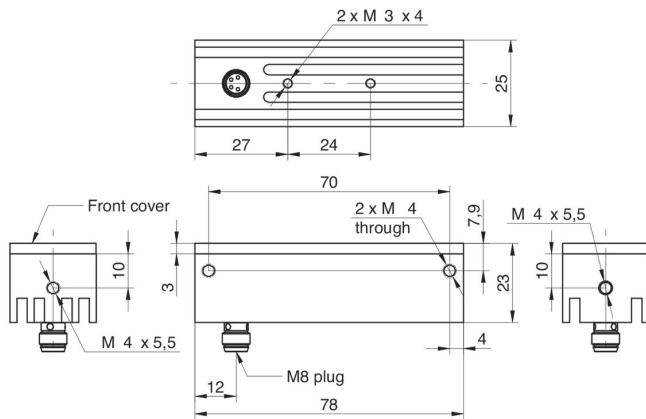
operating temperature max. 50 °C

ZVI-TOPLINED1_24VDC_SHWEIß_120°

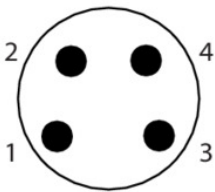
TOP-LINE-D1 SH white 120° 24VDC M8 1-canal

Article number: 11130186

dimension drawing



pin assignment



M8	signal
1:	LED +24V (pulsing 24-48 V)
2:	N.C.
3:	LED - (GND)
4:	N.C.