

# Accessories

## Mounting accessories

### Spring washer for encoders $\varnothing 58$ mm, hole spacing 68 mm



#### Features

- For high-dynamic applications and high demand on accuracy

#### Description

Fix spring coupling onto flange by help of the attached screws. Push encoder onto the drive shaft and mount spring coupling onto the contact surface.

#### Part number

11034121 Spring coupling for encoders with  $\varnothing 58$  mm housing, hole distance 68 mm (Z 119.073)

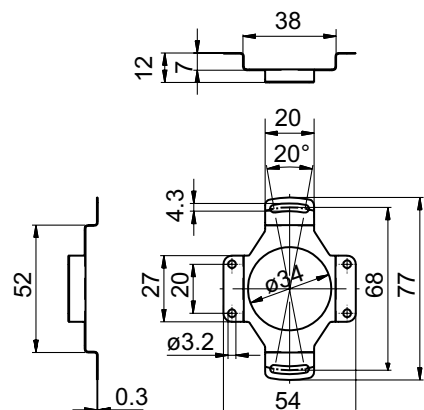
#### Scope of delivery

Included: spring coupling, four screws M3 x 6 and two M4 x 5 with six lock washers

#### Suitable for

EAL580-B, EAL580-T, G0A2H, G0AMH, G0M2H, G0MMH, G0P5H, GBA2H, GBA2S, GBAMH, GBAMS, GBM2H, GBM2S, GBMMH, GBMMS, GBP5H, GBP5S, GEMMH, GXA2S, GXAMS, GXM2S, GXM7S, GXMMS, GXP5S

#### Dimensions



#### Assembly drawing

