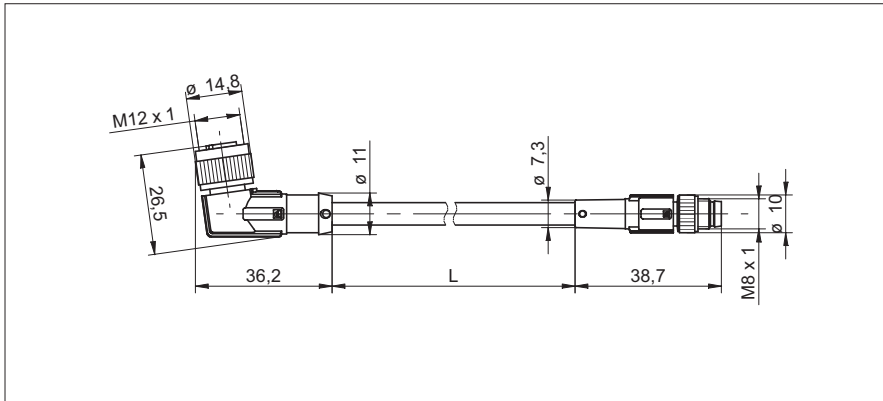


# connecting cable 3-wire socket, angled M12 – plug, straight M8

**dimension drawing**



- 3-wire
- PUR halogen-free
- suitable for flexible cable carriers
- self-locking cap nut
- UL listing file No. E315836

**General data**

Rated current at 40 °C	4 A
Rated voltage	60 V
Number of positions	3
Volume resistance	≤ 5 mΩ
Insulation resistance	≥ 100 MΩ
Length of cable	see listing
Ambient temperature (operation)	-25 ... 90 °C (Male connector/female connector)

**General characteristics**

Standards/regulations	M12 connector IEC 61076-2-101
Coding	A-standard
Surge voltage category	II
Pollution degree	3
Degree of protection	IP65/IP67/IP68
Contact material	CuSn
Contact surface material	Ni/Au
Contact carrier material	TPU GF
Material of grip body	TPU, hardly inflammable, self-extinguishing
Material, knurls	Zinc die-cast, (nickel-plated)
Sealing material	NBR
Status display	no

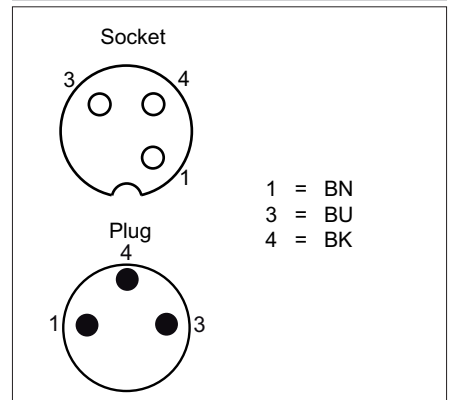
**Conductor data**

Cable type	PUR halogen-free black
Cable abbreviation	Li9Y11Y-HF
Conductor cross section	3x0,25 mm <sup>2</sup>
AWG signal line	24
Conductor structure, signal line	32x0,10 mm
Core diameter including insulation	1,17 mm ±0,02 mm
External cable diameter	3,60 mm ±0,15 mm
Wire colors	Brown, blue, black
External sheath, color	Black-gray RAL 7021

Typ	Mat.-No.	L
ESW 33S/KSG32SH0100	10149649	1,00 m
ESW 33S/KSG32SH0200	10137529	2,00 m

other lengths on request

**pin assignment**



## connecting cable 3-wire socket, angled M12 – plug, straight M8

Conductor data (cont.)	
Conductor resistance	≤ 78 Ω/km
Nominal voltage, conductor	300 V
Test voltage, conductor	3000 V
Overall twist	3 wires, twisted
Outer sheath, material	PUR
Conductor material	Bare Cu litz wires
Cable weight	18 kg/km
Smallest bending radius, movable installation	36 mm
Number of bending cycles	10'000'000
Bending radius	44 mm
Traversing path	10 m
Traversing rate	3 m/s
Acceleration	10 m/s <sup>2</sup>
Ambient temperature (operation)	-40 ... 80 °C (cable, fixed installation) -25 ... 80 °C (cable, flexible installation)
Special properties	suitable for drag chains Silicone-free
	Free of substances which would hinder coating with paint or varnish
Flame resistance	As per UL 758/1581 FT2 As per DIN EN 60332-2-2 (20 s)
Halogen-free	As per DIN VDE 0472 part 815
Resistance to oil	complying with DIN EN 60811-2-1
Other resistance	Highly resistant to acids, alkaline solutions and solvents hydrolysis and microbe resistant