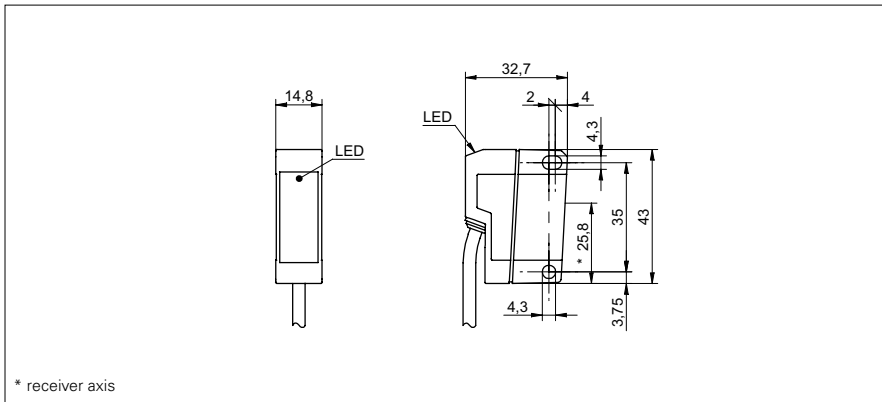


**Through beam sensors**

**FEDK 14N5101**

**dimension drawing**



**general data**

type	through beam sensor
emitter / receiver	receiver
actual range Sb	12 m
nominal range Sn	15 m
alignment / soiled lens indicator	flashing light indicator
light indicator	LED yellow
sensitivity adjustment	no

**electrical data**

response time / release time	< 1,2 ms
voltage supply range +Vs	10 ... 30 VDC
current consumption max. (no load)	20 mA
current consumption typ.	20 mA
voltage drop Vd	< 1,8 VDC
output function	light / dark operate
output circuit	NPN
output current	< 100 mA
short circuit protection	yes
reverse polarity protection	yes

**mechanical data**

width / diameter	14,8 mm
height / length	43 mm
depth	31 mm
type	rectangular
housing material	plastic (ASA, MABS)
front (optics)	PMMA
connection types	cable 4 pin, 2 m

**ambient conditions**

operating temperature	-25 ... +65 °C
protection class	IP 67

**photo**



**connection diagram**

