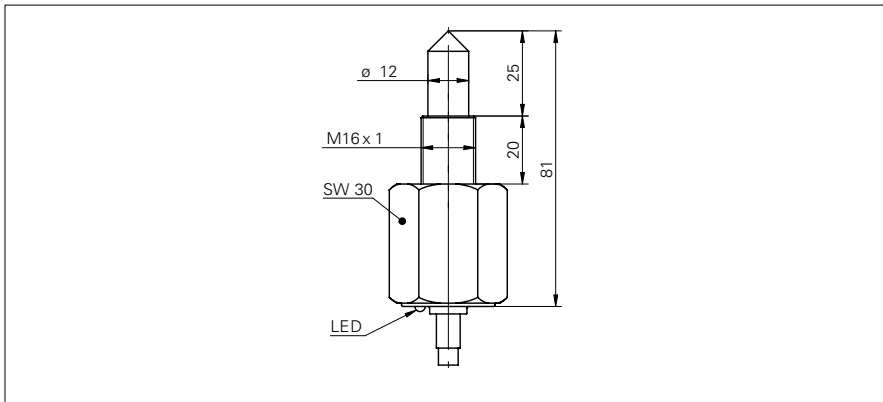


**Liquid level and leakage sensors**

**FFAK 16NTD1001/L**

**dimension drawing**



**general data**

type	liquid level sensor
light source	pulsed infrared diode
nominal pressure (probe tip)	10 bar
output indicator	LED yellow
sensitivity adjustment	no
wave length	880 nm
measurement type	contact with medium

**electrical data**

voltage supply range +Vs	10 ... 30 VDC
current consumption max. (no load)	15 mA
voltage drop Vd	< 2 VDC
output function	normally open (NO)
output circuit	NPN
output current	< 200 mA
short circuit protection	no
reverse polarity protection	yes, Vs to GND

**mechanical data**

width / diameter	30 mm
height / length	81 mm
thread	M16x1 mm
type	cylindrical
material (sensing device)	polysulphone
housing material	polysulphone
connection types	cable 3 pin, 2 m

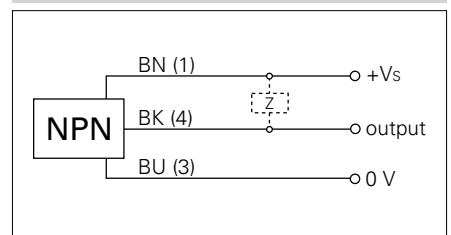
**ambient conditions**

operating temperature	0 ... +65 °C
protection class	IP 67

**photo**



**connection diagram**



• switched when dipped