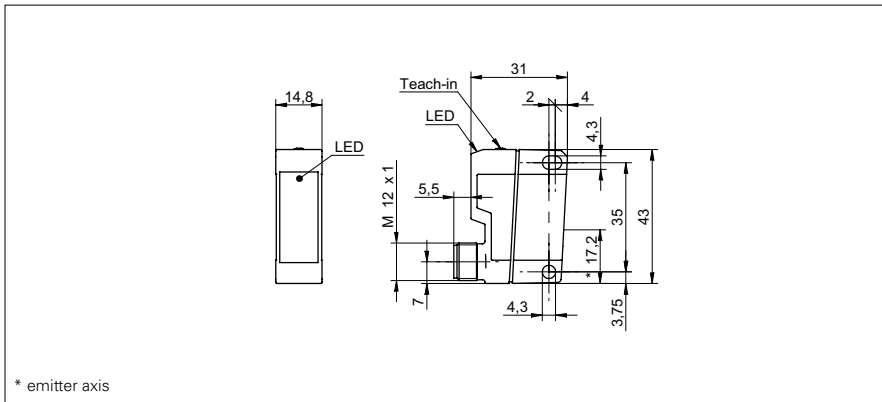


**Retro-reflective sensors**

**FRDK 14P6901/S14**

**dimension drawing**



**general data**

type	retro-reflective sensor
version	for transparent objects
light source	pulsed red LED
actual range $S_b$	7 m
nominal range $S_n$	8 m
polarization filter	no
light indicator	LED yellow
sensitivity adjustment	Teach-in
wave length	660 nm

**electrical data**

response time / release time	< 0,1 ms
teach-in signal time	> 500 $\mu$ s
adaption time	< 20 ms
voltage supply range +Vs	10 ... 30 VDC
current consumption max. (no load)	40 mA
current consumption typ.	35 mA
voltage drop $V_d$	< 2,2 VDC
output function	light / dark operate switchable
output circuit	PNP
output current	< 100 mA
short circuit protection	yes
reverse polarity protection	yes

**mechanical data**

width / diameter	14,8 mm
height / length	43 mm
depth	31 mm
type	rectangular
housing material	plastic (ASA, MABS)
front (optics)	PMMA
connection types	connector M12 4 pin

**ambient conditions**

operating temperature	-25 ... +65 °C
protection class	IP 67

**photo**



**connection diagram**

