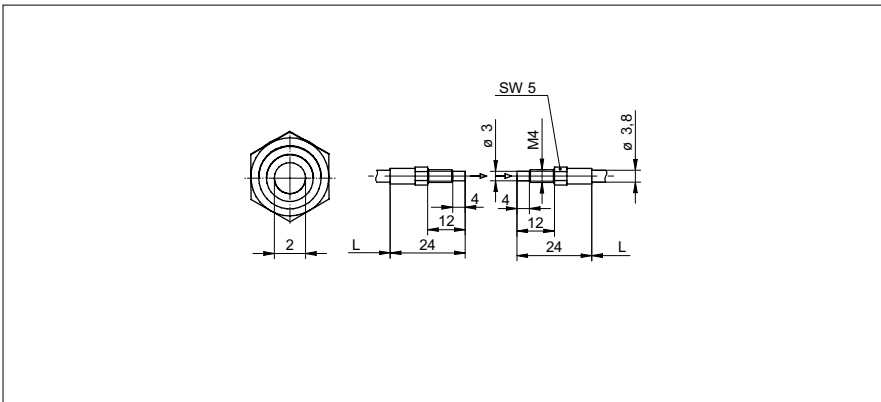


**Through beam fiber optics**

**FSE 050A1003**

**dimension drawing**



**general data**

type	through beam sensor
actual range Sb	550 mm
response time / release time	0,25 ... 2,5 ms
type of head (fiber optic cable)	cylindrical threaded (axial)
width / diameter (head)	4 mm
height / length (head)	24 mm
material (head)	brass
bending radius	12 mm (stat.) 24 mm (dynam.)
cable jacket diameter	4 mm
material cable jacket	PVC
fiber cross section	4 mm <sup>2</sup>
material (fiber optic cable)	glass
length (fiber optic cable)	500 mm
operating temperature	-25 ... +70 °C

**photo**



Sensing distance/response time:  
For the definitive sensing distance/response time please see table below "fitting fiber optic sensors".



fitting fiber optic sensors	actual range Sb (0,25 ms)	actual range Sb (0,5 ms)	actual range Sb (1 ms)	actual range Sb (2,5 ms)
FZAM 30	550 mm	-	-	550 mm
FZAM 18 (teach-in)	-	-	500 mm	-
FZAM 18 (mechanically adjustable, lateral)	-	-	500 mm	-
FZAM 18 (mechanically adjustable, axial)	-	310 mm	-	-