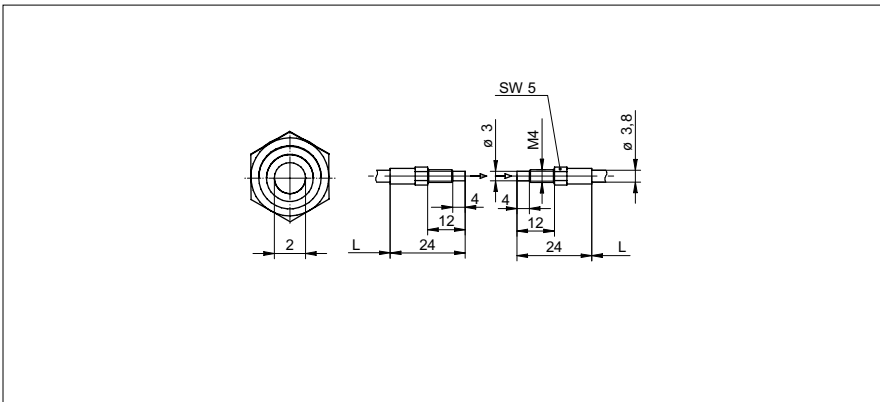


Through beam fiber optics

FSE 050A1006

dimension drawing



general data

type	through beam sensor
actual range Sb	450 mm
response time / release time	0,25 ... 2,5 ms
type of head (fiber optic cable)	cylindrical threaded (axial)
width / diameter (head)	4 mm
height / length (head)	24 mm
material (head)	brass
bending radius	13,5 mm (stat.) 27 mm (dynam.)
cable jacket diameter	4,5 mm
material cable jacket	PVC
fiber cross section	2 mm ²
material (fiber optic cable)	glass
length (fiber optic cable)	500 mm
operating temperature	-25 ... +70 °C

photo



Sensing distance/response time:
For the definitive sensing distance/response time please see table below "fitting fiber optic sensors".



fitting fiber optic sensors	actual range Sb (0,25 ms)	actual range Sb (0,5 ms)	actual range Sb (1 ms)	actual range Sb (2,5 ms)
FZAM 30	380 mm	-	-	450 mm
FZAM 18 (teach-in)	-	-	450 mm	-
FZAM 18 (mechanically adjustable, lateral)	-	-	450 mm	-
FZAM 18 (mechanically adjustable, axial)	-	180 mm	-	-