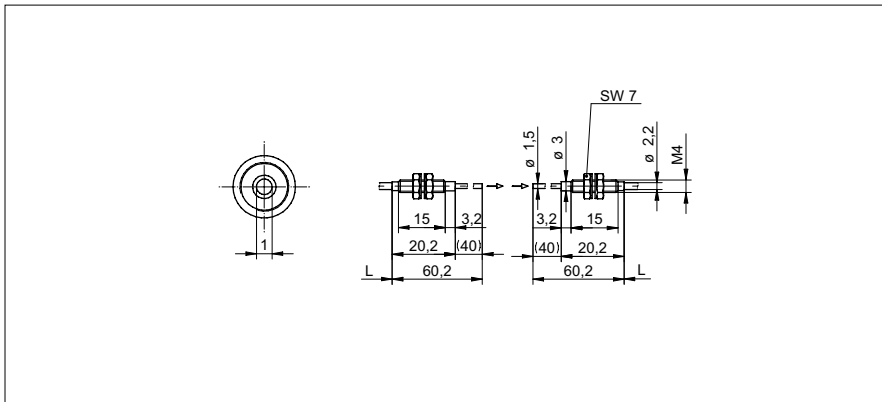


**Through beam fiber optics**

**FSE 200C1013**

**dimension drawing**



**general data**

|                                  |   |
|----------------------------------|---|
| particular characteristics       | small sensing head<br>sensing head can be bent once |
| type                             | through beam sensor                                 |
| actual range Sb                  | 340 mm  |
| response time / release time     | 0,05 ... 5 ms                                       |
| type of head (fiber optic cable) | cylindrical threaded (axial)                        |
| width / diameter (head)          | 4 mm  |
| height / length (head)           | 60,2 mm   |
| material (head)                  | stainless steel / brass                             |
| bending radius                   | 8 mm  |
| cable jacket diameter            | 2,2 mm  |
| material cable jacket            | PE  |
| material (fiber optic cable)     | plastic   |
| length (fiber optic cable)       | 2000 mm   |
| operating temperature            | -30 ... +70 °C                                      |

Sensing distance/response time:  
For the definitive sensing distance/response time please see table below "fitting fiber optic sensors".

**photo**



- Chrome nickel sensing head which can be bent once. R > 7.5 mm. Other sensing head lengths on request.

| fitting fiber optic sensors    | actual range Sb (0,05 ms) | actual range Sb (0,25 ms) | actual range Sb (1 ms) | actual range Sb (5 ms) |
|--------------------------------|---------------------------|---------------------------|------------------------|------------------------|
| FVDK 67 (standard version)     | 40 mm (HS)                | -                         | 290 mm (nL)            | 340 mm (HP)            |
| FVDK 67 (2 adjustable outputs) | 40 mm (HS)                | -                         | 290 mm (nL)            | 340 mm (HP)            |
| FVDK 67 (master/slave)         | 40 mm (HS)                | -                         | 290 mm (nL)            | 340 mm (HP)            |
| FVDK 66 (standard version)     | -                         | 70 mm (FT)                | 125 mm (nL)            | -                      |
| FVDK 66 (master/slave)         | -                         | 70 mm (FT)                | 125 mm (nL)            | -                      |
| FVDK 22                        | -                         | -                         | 100 mm (nL)            | -                      |
| FVDK 12                        | -                         | -                         | 100 mm (nL)            | -                      |
| FVDK 12 (fast version)         | 94 mm (HS)                | -                         | -                      | -                      |
| FVDK 10                        | -                         | -                         | 50 mm (nL)             | -                      |
| FWDK 84 (analog output)        | -                         | -                         | 28 mm (nL)             | -                      |

operating modes  
HS High Speed  
FT fast  
nL Standard  
HP High Sensitivity