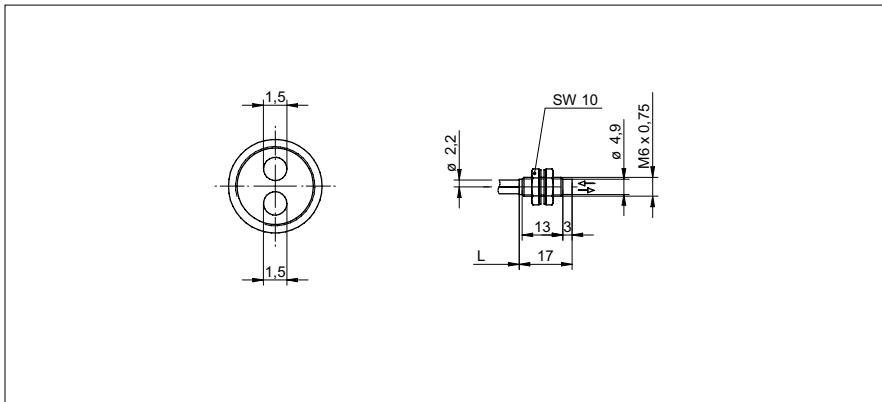


Diffuse sensors fiber optics

FUB 200C1Y00

dimension drawing



general data

particular characteristics	heat resistant
type	Diffuse sensors
sensing distance Tw	1 ... 400 mm
response time / release time	0,05 ... 5 ms
type of head (fiber optic cable)	cylindrical threaded (axial)
width / diameter (head)	6 mm
height / length (head)	17 mm
material (head)	stainless steel
bending radius	35 mm
cable jacket diameter	2,2 mm
material cable jacket	PE
material (fiber optic cable)	plastic
length (fiber optic cable)	2000 mm
operating temperature	-60 ... +150 °C

photo



Sensing distance/response time:
For the definitive sensing distance/response time please see table below "fitting fiber optic sensors".



fitting fiber optic sensors	sensing distance Tw (0,05 ms)	sensing distance Tw (0,25 ms)	sensing distance Tw (1 ms)	sensing distance Tw (5 ms)
FVDK 67 (standard version)	1 ... 65 mm (HS)	-	1 ... 300 mm (nL)	1 ... 400 mm (HP)
FVDK 67 (2 adjustable outputs)	1 ... 65 mm (HS)	-	1 ... 300 mm (nL)	1 ... 400 mm (HP)
FVDK 67 (master/slave)	1 ... 42 mm (HS)	-	1 ... 300 mm (nL)	1 ... 400 mm (HP)
FVDK 66 (standard version)	-	1 ... 90 mm (FT)	1 ... 150 mm (nL)	-
FVDK 66 (master/slave)	-	1 ... 90 mm (FT)	1 ... 150 mm (nL)	-
FVDK 22	-	-	1 ... 110 mm (nL)	-
FVDK 12	-	-	1 ... 110 mm (nL)	-
FVDK 12 (fast version)	1 ... 103 mm (HS)	-	-	-
FVDK 10	-	-	1 ... 45 mm (nL)	-
FWDK 84 (analog output)	-	-	1 ... 28 mm (nL)	-

operating modes
 HS High Speed
 FT fast
 nL Standard
 HP High Sensitivity