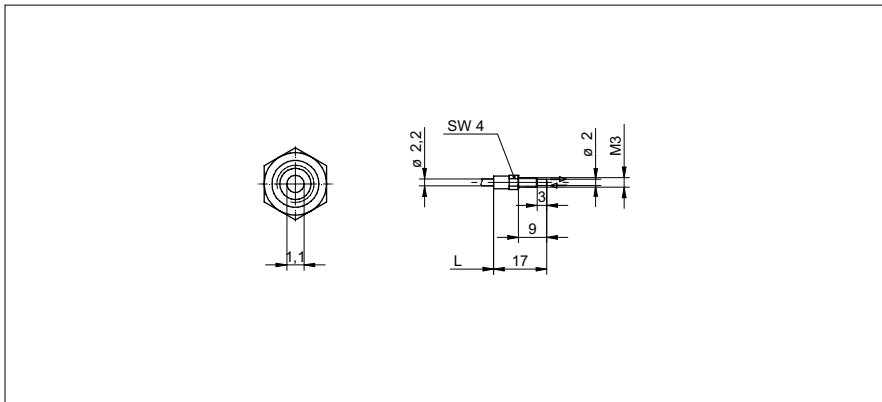


Diffuse sensors fiber optics

FUE 025B1003

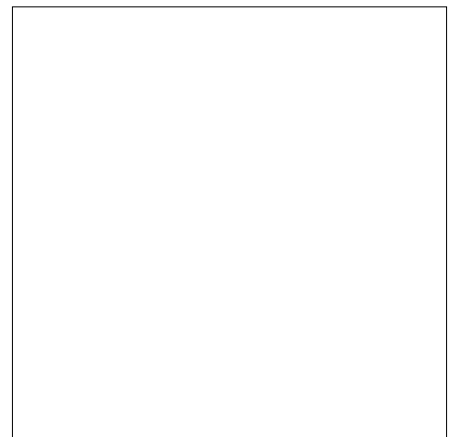
dimension drawing



general data

type	Diffuse sensors
sensing distance Tw	1 ... 25 mm
response time / release time	0,1 ... 1 ms
type of head (fiber optic cable)	cylindrical threaded (axial)
width / diameter (head)	3 mm
height / length (head)	17 mm
material (head)	brass
bending radius	7,5 mm (stat.) 15 mm (dynam.)
cable jacket diameter	2,5 mm
material cable jacket	PUR
fiber cross section	0,5 mm ²
material (fiber optic cable)	glass
length (fiber optic cable)	250 mm
operating temperature	-25 ... +70 °C

photo



Sensing distance/response time:
For the definitive sensing distance/response time please see table below "fitting fiber optic sensors".



fitting fiber optic sensors	sensing distance Tw (0,1 ms)	sensing distance Tw (0,25 ms)	sensing distance Tw (0,5 ms)	sensing distance Tw (1 ms)
FVDM 15	1 ... 22 mm	-	-	1 ... 25 mm