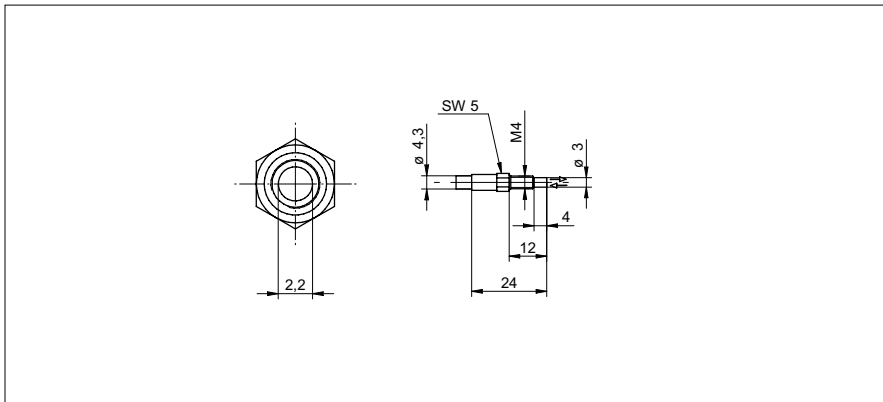


Diffuse sensors fiber optics

FUE 025B1011

dimension drawing



general data

type	Diffuse sensors
sensing distance Tw	1 ... 110 mm
response time / release time	0,1 ... 1 ms
type of head (fiber optic cable)	cylindrical threaded (axial)
width / diameter (head)	4 mm
height / length (head)	24 mm
material (head)	brass
bending radius	13,5 mm (stat.) 27 mm (dynam.)
cable jacket diameter	4,5 mm
material cable jacket	PUR
fiber cross section	2 mm ²
material (fiber optic cable)	glass
length (fiber optic cable)	250 mm
operating temperature	-25 ... +70 °C

Sensing distance/response time:
For the definitive sensing distance/response time please see table below "fitting fiber optic sensors".

photo



fitting fiber optic sensors	sensing distance Tw (0,1 ms)	sensing distance Tw (0,25 ms)	sensing distance Tw (0,5 ms)	sensing distance Tw (1 ms)
FVDM 15	1 ... 90 mm	-	-	1 ... 110 mm