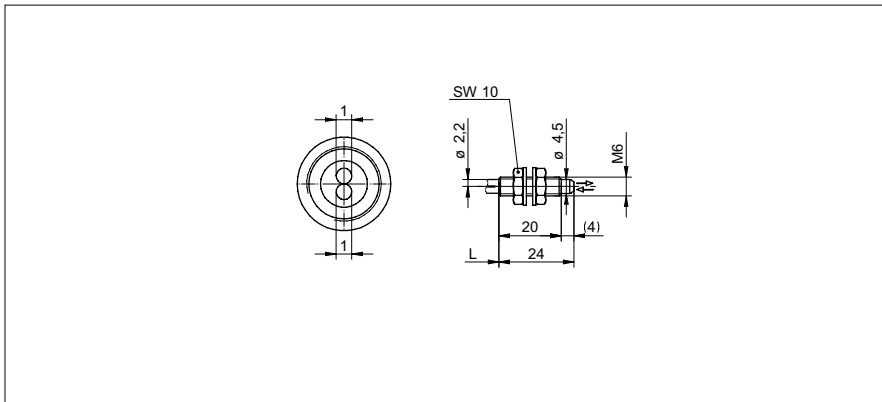


Diffuse sensors fiber optics

FUE 200C1003

dimension drawing



general data

particular characteristics	standard
type	Diffuse sensors
sensing distance Tw	1 ... 300 mm
response time / release time	0,05 ... 5 ms
type of head (fiber optic cable)	cylindrical threaded (axial)
width / diameter (head)	6 mm
height / length (head)	24 mm
material (head)	brass
bending radius	15 mm
cable jacket diameter	2,2 mm
material cable jacket	PE
material (fiber optic cable)	plastic
length (fiber optic cable)	2000 mm
operating temperature	-30 ... +70 °C

photo



Sensing distance/response time:
For the definitive sensing distance/response time please see table below "fitting fiber optic sensors".



fitting fiber optic sensors	sensing distance Tw (0,05 ms)	sensing distance Tw (0,25 ms)	sensing distance Tw (1 ms)	sensing distance Tw (5 ms)
FVDK 67 (standard version)	1 ... 33 mm (HS)	-	1 ... 260 mm (nL)	1 ... 300 mm (HP)
FVDK 67 (2 adjustable outputs)	1 ... 33 mm (HS)	-	1 ... 260 mm (nL)	1 ... 300 mm (HP)
FVDK 67 (master/slave)	1 ... 33 mm (HS)	-	1 ... 260 mm (nL)	1 ... 300 mm (HP)
FVDK 66 (standard version)	-	1 ... 65 mm (FT)	1 ... 110 mm (nL)	-
FVDK 66 (master/slave)	-	1 ... 65 mm (FT)	1 ... 110 mm (nL)	-
FVDK 22	-	-	1 ... 90 mm (nL)	-
FVDK 12	-	-	1 ... 90 mm (nL)	-
FVDK 12 (fast version)	1 ... 84 mm (HS)	-	-	-
FVDK 10	-	-	1 ... 45 mm (nL)	-
FWDK 84 (analog output)	-	-	1 ... 25 mm (nL)	-

operating modes
HS High Speed
FT fast
nL Standard
HP High Sensitivity