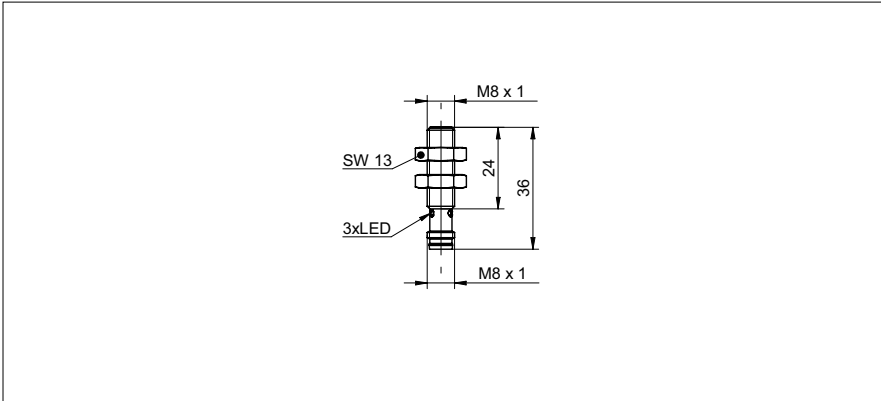


Inductive proximity switch

IGYX 08N17B3/S35L

dimension drawing



general data

mounting type	flush
nominal sensing distance S_n	2 mm
assured sensing distance S_a	1,6 mm
temperature drift	$\pm 10\%$ of S_r (0 ... +60 °C)
hysteresis	3 ... 20 % of S_r
output indicator	3 port LED red

electrical data

switching frequency	< 3 kHz
voltage supply range +Vs	10 ... 30 VDC
current consumption max. (no load)	15 mA
output circuit	NPN make function (NO)
voltage drop Vd	< 2,5 VDC
output current	< 200 mA
short circuit protection	yes
reverse polarity protection	yes

mechanical data

type	cylindrical threaded
material (sensing face)	PBT, red
housing material	stainless steel
dimension	8 mm
housing length	36 mm
connection types	connector M8
tightening torque max.	5 Nm

ambient conditions

operating temperature	-25 ... +75 °C
protection class	IP 67

photo



connection diagram



- Compliant with EMC requirements of EN 60947-5-2: 2007