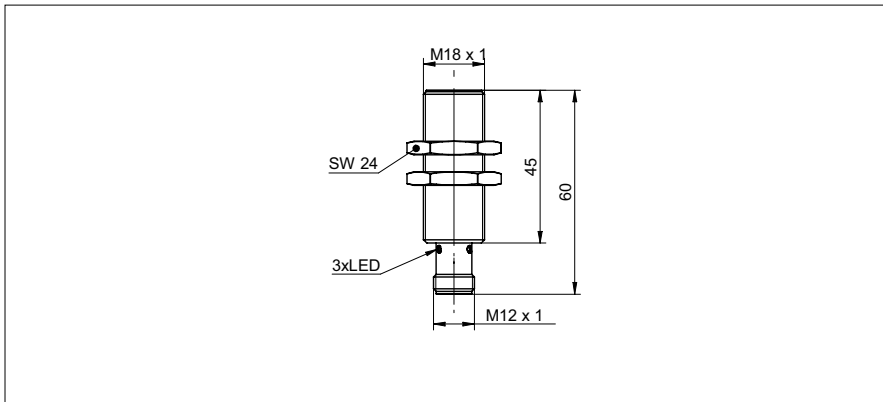


Inductive proximity switch

IGYX 18P37B3/S14L

dimension drawing



general data

mounting type	quasi-flush
nominal sensing distance S_n	8 mm
assured sensing distance S_a	6,4 mm
temperature drift	$\pm 10\%$ of S_r (0 ... +60 °C)
hysteresis	3 ... 20 % of S_r
output indicator	3 port LED red

electrical data

switching frequency	< 400 Hz
voltage supply range +Vs	10 ... 30 VDC
current consumption max. (no load)	15 mA
output circuit	PNP break function (NC)
voltage drop Vd	< 2,5 VDC
output current	< 200 mA
short circuit protection	yes
reverse polarity protection	yes

mechanical data

type	cylindrical threaded
material (sensing face)	PBT, red
housing material	brass nickel plated
dimension	18 mm
housing length	60 mm
connection types	connector M12
tightening torque max.	25 Nm

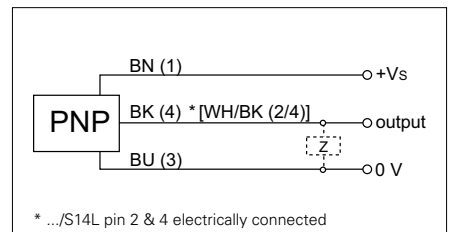
ambient conditions

operating temperature	-25 ... +75 °C
protection class	IP 67

photo



connection diagram



- Compliant with EMC requirements of EN 60947-5-2: 2007