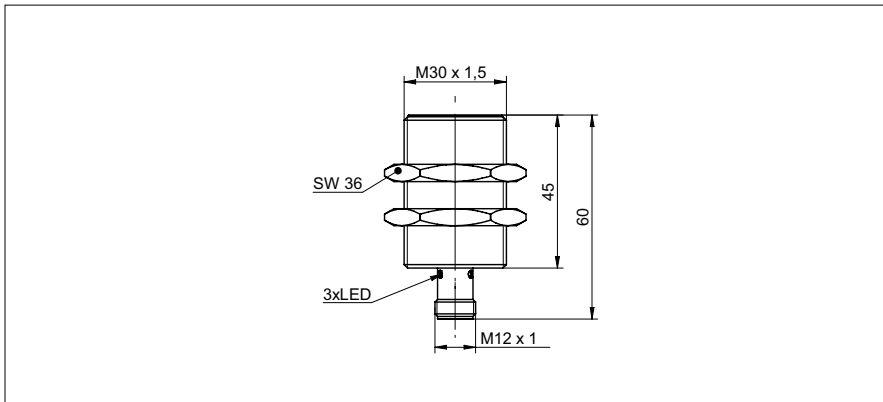


# Inductive proximity switch

# IGYX 30P17B3/S14L

### dimension drawing



### general data

mounting type	flush
nominal sensing distance $S_n$	15 mm
assured sensing distance $S_a$	12 mm
temperature drift	$\pm 10\%$ of $S_r$ (0 ... +60 °C)
hysteresis	3 ... 20 % of $S_r$
output indicator	3 port LED red

### electrical data

switching frequency	< 400 Hz
voltage supply range +Vs	10 ... 30 VDC
current consumption max. (no load)	15 mA
output circuit	PNP make function (NO)
voltage drop Vd	< 2,5 VDC
output current	< 200 mA
short circuit protection	yes
reverse polarity protection	yes

### mechanical data

type	cylindrical threaded
material (sensing face)	PBT, red
housing material	brass nickel plated
dimension	30 mm
housing length	60 mm
connection types	connector M12
tightening torque max.	60 Nm

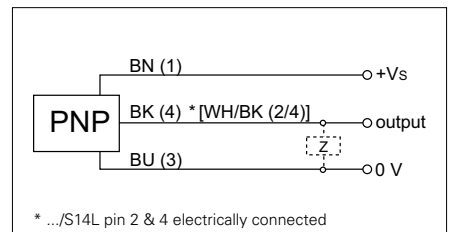
### ambient conditions

operating temperature	-25 ... +75 °C
protection class	IP 67

### photo



### connection diagram



- Compliant with EMC requirements of EN 60947-5-2: 2007