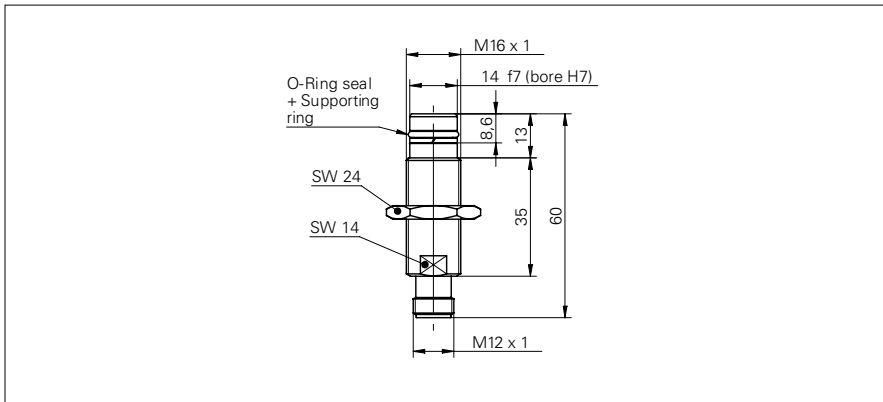


Inductive distance measuring sensors

IWRP 16I8704/S14C

dimension drawing



general data

mounting type	flush
special type	high pressure linearized
measuring distance Sd	0 ... 4 mm
sensitivity	4,0 mA/mm
resolution	< 0,005 mm (stat.) < 0,005 mm (dynam.)
repeat accuracy	< 0,01 mm
adjustment	external Teach-in
teach	1-point analog, 2-point analog, factory reset
linearity error	± 120 µm (S = 0 ... 4 mm)
temperature drift	± 10 % (Full Scale)

electrical data

response time (factory characteristic)	< 1 ms
voltage supply range +Vs	8 ... 36 VDC
current consumption max. (no load)	15 mA
output circuit	current output
output signal	4 ... 20 mA
load resistance	< 50 Ohm/V * Vs - 250 Ohm > 500 Ohm (Vs = 30 ... 36 VDC)
short circuit protection	yes
reverse polarity protection	yes

mechanical data

type	cylindrical threaded
material (sensing face)	ceramic
housing material	stainless steel
dimension	16 mm
housing length	61 mm
connection types	connector M12 5 pin
tightening torque max.	30 Nm
peak pressure	600 bar
operating pressure static	< 300 bar
operating pressure dynamic	< 250 bar

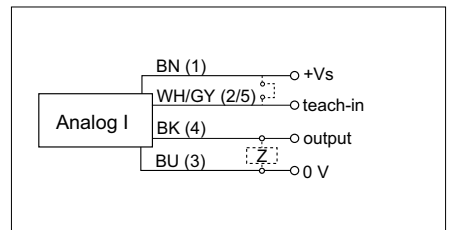
ambient conditions

operating temperature	-25 ... +75 °C (Vs = 8 ... 30 VDC) -25 ... +60 °C (Vs = 8 ... 36 VDC)
protection class	IP 68/67 (sensing face/sensor)

photo



connection diagram



- external Teach-in
- linear analog output