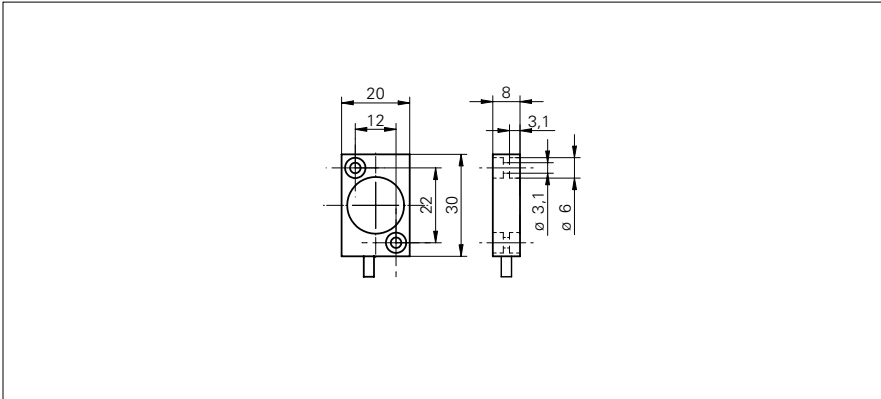


Magnetic angle sensors

MDFM 20U9405/C360

dimension drawing



general data

| | |
|-------------------------|------------------------------|
| angular range | 360° linear |
| resolution | 0,09 ° |
| system accuracy | ± 0,25 % |
| temperature drift | ± 1 % (Full Scale) |
| working distance max. | 5 mm, with magnet rotor MSFS |
| axial misalignment max. | 0,4 mm |

electrical data

| | |
|------------------------------------|-----------------|
| response time | < 4 ms |
| voltage supply range +Vs | 4,7 ... 7,5 VDC |
| current consumption max. (no load) | 10 mA |
| output signal | 0 ... 4,3 VDC |
| load resistance | > 1000 Ohm |
| output circuit | voltage output |
| short circuit protection | yes |
| reverse polarity protection | no |

mechanical data

| | |
|-------------------------|-------------------------|
| connection types | cable PUR 3 x 0,14, 2 m |
| type | rectangular |
| housing material | brass nickel plated |
| dimension | 20 mm |
| material (sensing face) | PBTP |

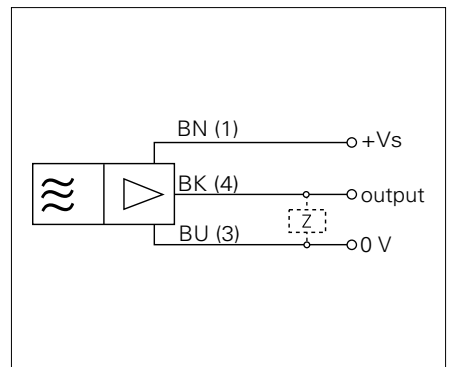
ambient conditions

| | |
|-----------------------|----------------|
| operating temperature | -40 ... +85 °C |
| protection class | IP 67 |

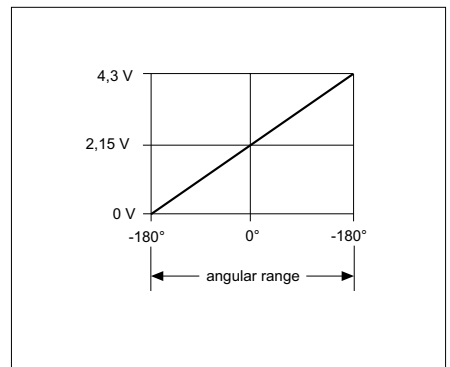
photo



connection diagram



output signal



Magnetic angle sensors**MDFM 20U9405/C360**

- Rotor is available as an accessory