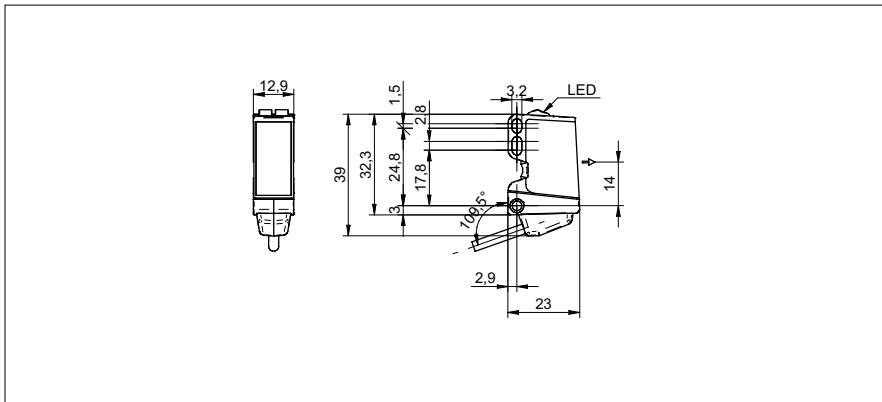


Through beam sensors

O300.TR-11167264

dimension drawing



general data

type	through beam sensor
emitter / receiver	emitter
light source	pulsed red LED
actual range S_b	10 m
nominal range S_n	15 m
power on indication	LED green
wave length	645 nm
alignment optical axis	< 2°

electrical data

voltage supply range +Vs	10 ... 30 VDC
current consumption max. (no load)	40 mA
current consumption typ.	30 mA
reverse polarity protection	yes

mechanical data

width / diameter	12,9 mm
height / length	32,3 mm
depth	23 mm
type	rectangular
housing material	plastic (ASA, PMMA)
front (optics)	PMMA
connection types	cable 4 pin, 2 m

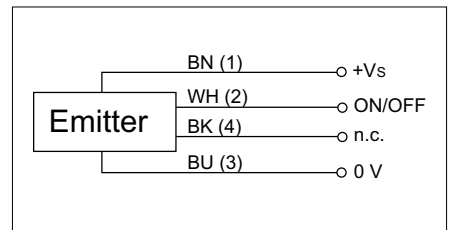
ambient conditions

operating temperature	-25 ... +60 °C
protection class	IP 67

photo



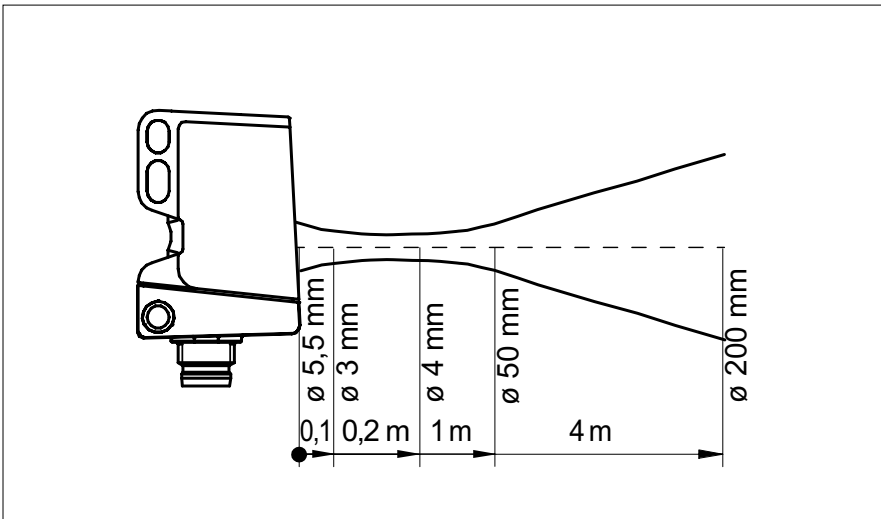
connection diagram



Through beam sensors

O300.TR-11167264

beam characteristic (typically)



excess gain curve

