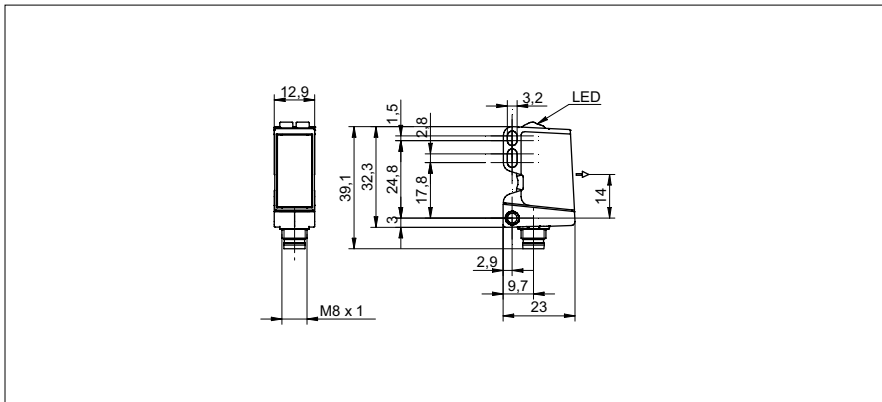


**Through beam sensors**

**O300.TR-11128022**

**dimension drawing**



**general data**

type	through beam sensor
emitter / receiver	emitter
light source	pulsed red LED
actual range $S_b$	10 m
nominal range $S_n$	15 m
power on indication	LED green
wave length	645 nm
alignment optical axis	< 2°

**electrical data**

voltage supply range +Vs	10 ... 30 VDC
current consumption max. (no load)	40 mA
current consumption typ.	30 mA
reverse polarity protection	yes

**mechanical data**

width / diameter	12,9 mm
height / length	32,3 mm
depth	23 mm
type	rectangular
housing material	plastic (ASA, PMMA)
front (optics)	PMMA
connection types	connector M8 4 pin

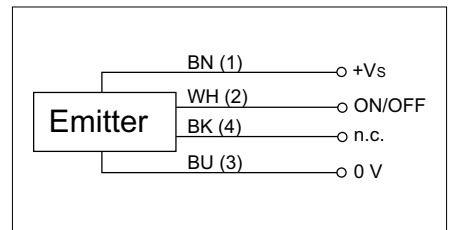
**ambient conditions**

operating temperature	-25 ... +60 °C
protection class	IP 67

**photo**



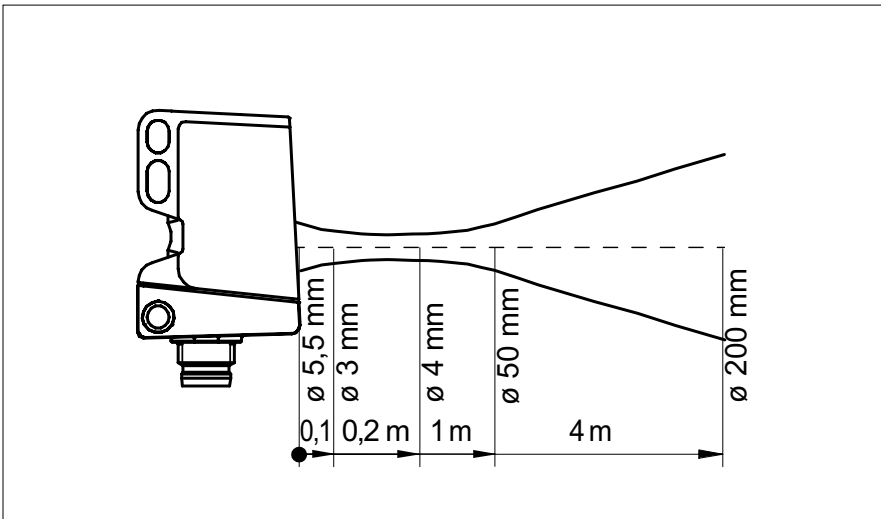
**connection diagram**



**Through beam sensors**

**O300.TR-11128022**

beam characteristic (typically)



excess gain curve

