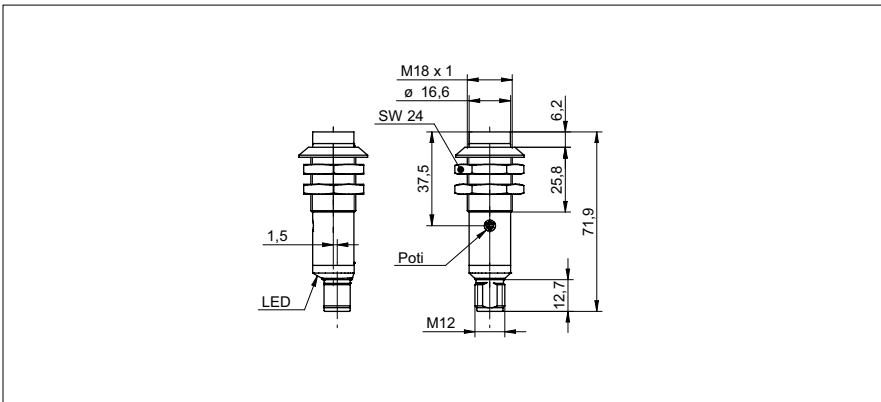


# Diffuse sensors with background suppression

**OR18.GR-11157841**

**dimension drawing**



**general data**

|                             |                        |
|-----------------------------|------------------------|
| type                        | background suppression |
| light source                | pulsed red LED         |
| sensing distance $T_w$      | 40 ... 120 mm          |
| sensing range $T_b$         | 5 ... 120 mm           |
| power on indication         | LED green              |
| output indicator            | LED yellow             |
| sensing distance adjustment | mechanical, 4 turn     |
| wave length                 | 660 nm                 |

**electrical data**

|                                    |                      |
|------------------------------------|----------------------|
| response time / release time       | < 1 ms               |
| voltage supply range +Vs           | 12 ... 30 VDC        |
| current consumption max. (no load) | 40 mA                |
| current consumption typ.           | 30 mA                |
| voltage drop Vd                    | < 2 VDC              |
| output function                    | light / dark operate |
| output circuit                     | PNP                  |
| output current                     | < 100 mA             |
| short circuit protection           | yes                  |
| reverse polarity protection        | yes                  |

**mechanical data**

|                  |                        |
|------------------|------------------------|
| width / diameter | 18 mm                  |
| height / length  | 71,9 mm                |
| type             | cylindrical threaded   |
| housing material | plastic (ABS TERLURAN) |
| front (optics)   | PMMA                   |
| connection types | connector M12 4 pin    |

**ambient conditions**

|                       |                |
|-----------------------|----------------|
| operating temperature | -25 ... +55 °C |
| protection class      | IP 67          |

**photo**



**connection diagram**

