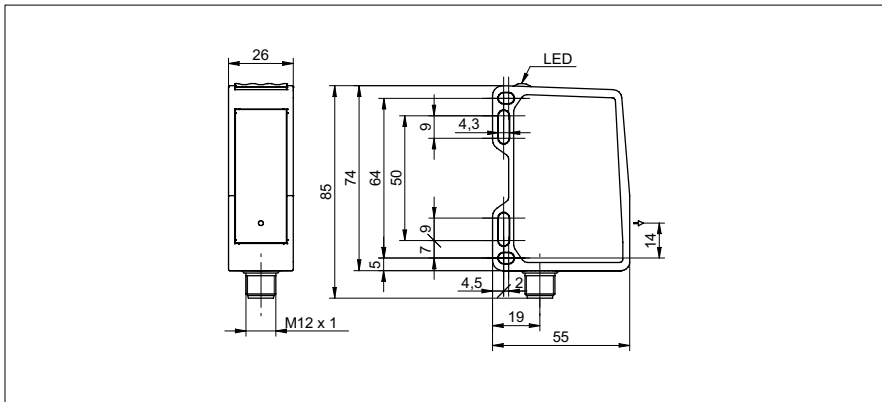


Light-section sensors

OXH7-11161809

dimension drawing



general data

type	height
version	PosCon OXH7
measuring range (width)	13 ... 66 mm
measuring range (distance)	100 ... 500 mm
measuring frequency	1540 Hz
resolution	4 ... 25 µm
repeat accuracy	4 ... 20 µm
linearity error	± 100 µm
temperature drift	± 0,04 % Sde/K
power on indication	LED green
light source	pulsed red laser diode
wave length	660 nm
laser class	2
optical peak power max.	6 mW
adjustment	Touch Display, RS485

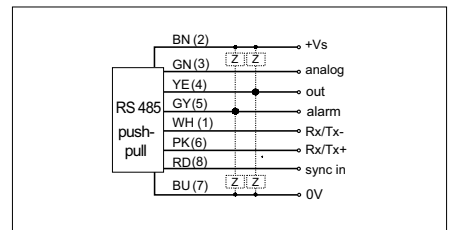
electrical data

response time / release time	1,3 ms
voltage supply range +Vs	15 ... 28 VDC
current consumption max. (no load)	120 mA
output circuit	analog and RS 485
output signal	4 ... 20 mA / 0 ... 10 VDC
switching output	push-pull
output function	Out 1 / Alarm
output current	< 100 mA
baud rate	115200, adjustable
reverse polarity protection	yes, Vs to GND
short circuit protection	yes

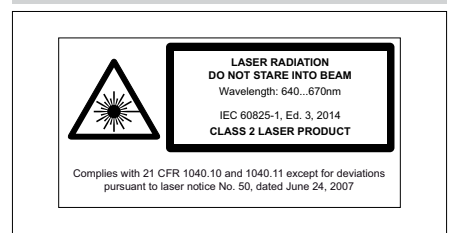
photo



connection diagram



laser warning



Light-section sensors
OXH7-11161809
mechanical data

width / diameter	26 mm
height / length	74 mm
depth	55 mm
type	rectangular, front view
housing material	aluminum
front (optics)	glass
connection types	connector M12 8 pin
weight	130 g

ambient conditions

ambient light immunity	< 35 kLux
operating temperature	-10 ... +50 °C
protection class	IP 67
storage temperature	-25 ... +75 °C
vibration (sinusoidal)	IEC 60068-2-6:2008 1.5 mm p-p at f = 10 - 57 Hz, 10 cycles per axis 10 g at f = 58 - 2000 Hz, 10 cycles per axis
shock (semi-sinusoidal)	IEC 60068-2-27:2009 50 g / 11 ms resp. 100 g / 6 ms, 10 jolts per axis and direction 100 g / 2 ms, 5000 jolts per axis and direction



- Conditions for the following characteristics:
- measuring frequency 2) 3)
- resolution 1) 2) 4) 5)
- repeat accuracy 1) 2) 4) 5)
- linearity error 1) 2) 4) 6)
- temperature drift 1) 2) 4)
- response time / release time 2) 3)
- 1) Measurement with Baumer standardized measuring equipment and targets depending on measuring range (distance)
- 2) Measurement on 90% remission (white)
- 3) Measurement with reduced Field of View (distance 400 ... 500 mm, width 5 mm)
- 4) Measurement with measuring type average
- 5) Measurement with filtering
- 6) Measuring range (distance) 100 ... 200 mm