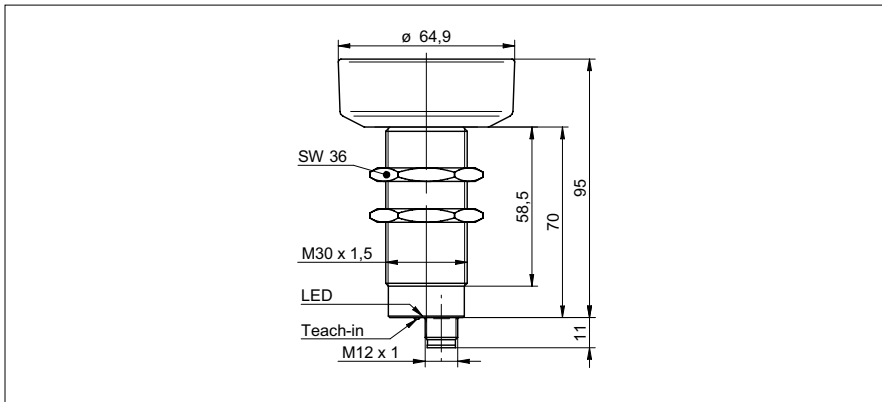


Ultrasonic distance measuring sensors

UNAM 70U6131/S14

dimension drawing



general data

scanning range Sd	600 ... 6000 mm
scanning range close limit Sdc	600 ... 6000 mm
scanning range far limit Sde	600 ... 6000 mm
repeat accuracy	< 3 mm
resolution	< 2 mm
response time ton	< 640 ms
release time toff	< 640 ms
temperature drift	< 2 % of distance to target So
sonic frequency	80 kHz
adjustment	Teach-in
alignment aid	target indication flashing
light indicator	yellow LED / red LED

electrical data

voltage supply range +Vs	15 ... 30 VDC
current consumption max. (no load)	35 mA
output circuit	voltage output
output signal	0 ... 10 V / 10 ... 0 V
output current	< 20 mA
residual ripple	< 10 % Vs
short circuit protection	yes
reverse polarity protection	yes

mechanical data

type	cylindrical threaded
housing material	brass nickel plated
width / diameter	30 mm
height / length	95 mm
connection types	connector M12

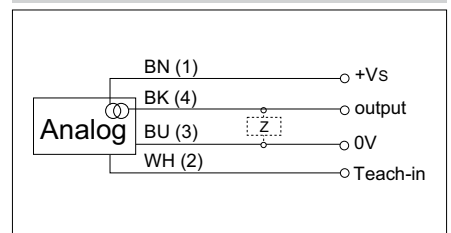
ambient conditions

operating temperature	-25 ... +60 °C
protection class	IP 67

photo



connection diagram



- Analog voltage output 0 - 10 V
- long sensing distance

Ultrasonic distance measuring sensors

UNAM 70U6131/S14

typical sonic cone profile

