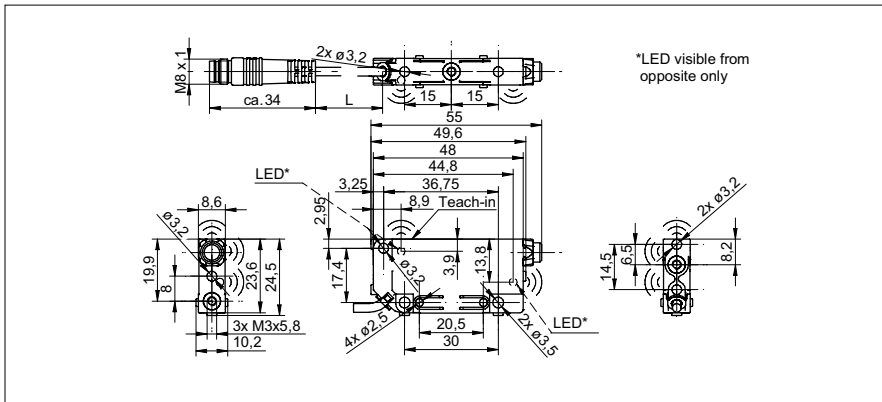


Ultrasonic distance measuring sensors

UNCK 09G8914/KS35A/IO

dimension drawing



general data

scanning range Sd	30 ... 200 mm
scanning range close limit Sdc	30 ... 200 mm
scanning range far limit Sde	30 ... 200 mm
version	IO-Link
repeat accuracy	< 0,5 mm
repeat accuracy (filter active)	< 0,1 mm
resolution	< 0,3 mm
resolution (filter active)	< 0,1 mm
response time ton	< 7 ms
temperature drift	< 2 % of distance to target So
sonic frequency	380 kHz
adjustment	Teach-in and IO-Link
alignment aid	target indication flashing
light indicator	green LED / red LED

electrical data

voltage supply range +Vs	18 ... 30 VDC
current consumption max. (no load)	35 mA
output circuit	push-pull / IO-Link
baud rate	38400
short circuit protection	yes
reverse polarity protection	yes

mechanical data

type	rectangular
housing material	PA 12
width / diameter	8,6 mm
height / length	55 mm
depth	24,5 mm
connection types	flylead connector M8, L=200 mm

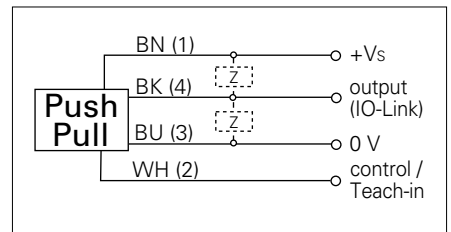
ambient conditions

operating temperature	0 ... +60 °C
protection class	IP 67

photo



connection diagram



IO-Link

- IO-Link: Measuring range, switching window, absolute/relative teach-in, service status, object presence, temperature compensation on/off

Ultrasonic distance measuring sensors

UNCK 09G8914/KS35A/IO

typical sonic cone profile

