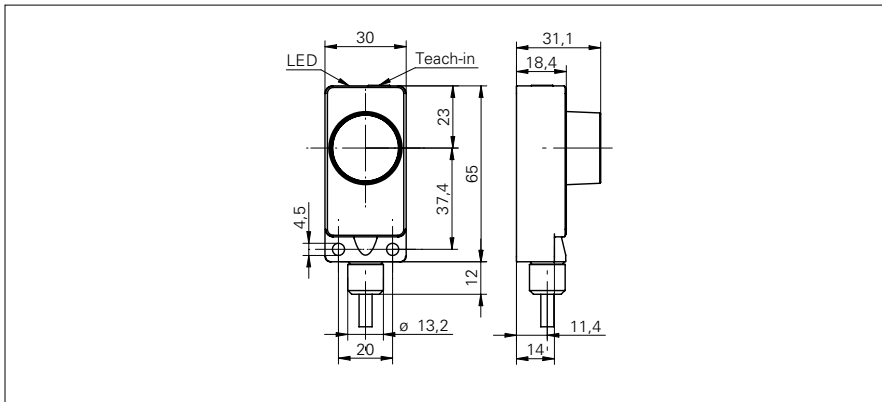


Ultrasonic distance measuring sensors

UNDK 30U6104

dimension drawing



general data

scanning range Sd	200 ... 2000 mm
scanning range close limit Sdc	200 ... 2000 mm
scanning range far limit Sde	200 ... 2000 mm
repeat accuracy	< 1 mm
resolution	< 0,5 mm
response time ton	< 150 ms
release time toff	< 150 ms
temperature drift	< 2 % of distance to target So
sonic frequency	200 kHz
adjustment	Teach-in
alignment aid	target indication flashing
light indicator	yellow LED / red LED

electrical data

voltage supply range +Vs	15 ... 30 VDC
current consumption max. (no load)	35 mA
output circuit	voltage output
output signal	0 ... 10 V / 10 ... 0 V
output current	< 20 mA
residual ripple	< 10 % Vs
short circuit protection	yes
reverse polarity protection	yes

mechanical data

type	rectangular
housing material	polyester / die-cast zinc
width / diameter	30 mm
height / length	65 mm
depth	31 mm
connection types	cable, 2 m

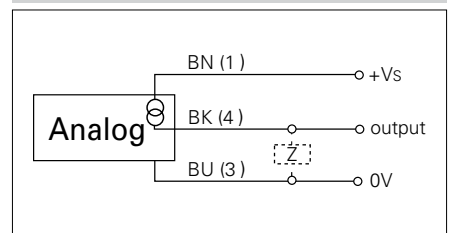
ambient conditions

operating temperature	-10 ... +60 °C
protection class	IP 67

photo



connection diagram



Ultrasonic distance measuring sensors

UNDK 30U6104

typical sonic cone profile

