

U750.DB5-11171931

Distanz messender Sensor
mit Analogausgang 5 V

Distance measuring sensor
with analog output 5 V

Détecteur de mesure avec
sortie analogique 5 V



11171931



Baumer

Baumer Electric AG · CH-8501 Frauenfeld
Phone +41 (0)52 728 1122 · Fax +41 (0)52 728 1144

Canada

Baumer Inc.
CA-Burlington, ON L7M 4B9
Phone +1 (1)905 335-8444

Italy

Baumer Italia S.r.l.
IT-20090 Assago, MI
Phone +39 (0)2 45 70 60 65

China

Baumer (China) Co., Ltd.
CN-201612 Shanghai
Phone +86 (0)21 6768 7095

Singapore

Baumer (Singapore) Pte. Ltd.
SG-339412 Singapore
Phone +65 6396 4131

Denmark

Baumer A/S
DK-8210 Aarhus V
Phone +45 (0)8931 7611

Sweden

Baumer A/S
SE-56133 Huskvarna
Phone +46 (0)36 13 94 30

France

Baumer SAS
FR-74250 Fillinges
Phone +33 (0)450 392 466

Switzerland

Baumer Electric AG
CH-8501 Frauenfeld
Phone +41 (0)52 728 1313

Germany

Baumer GmbH
DE-61169 Friedberg
Phone +49 (0)6031 60 07 0

United Kingdom

Baumer Ltd.
GB-Watchfield, Swindon, SN6 8TZ
Phone +44 (0)1793 783 839

India

Baumer India Private Limited
IN-411038 Pune
Phone +91 20 2528 6833/34

USA

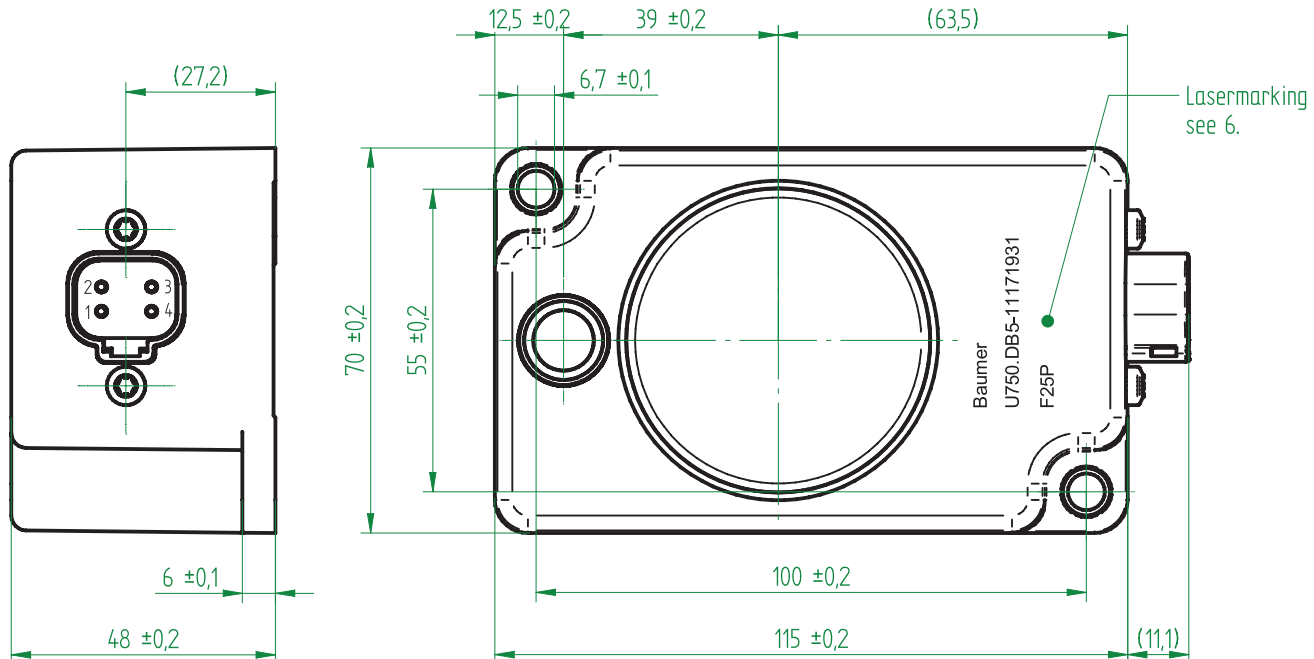
Baumer Ltd.
US-Southington, CT 06489
Phone +1 (1)860 621-2121

MATING CONNECTOR
DEUTSCH DT06-4S

PIN 1 PWR (5V)
PIN 2 OUTPUT SIGNAL
PIN 3 GROUND
PIN 4 N.A.

NOTES:

- ELECTRICAL SPECIFICATION
 - VOLTAGE SUPPLY RANGE: 4.8V...5.2V
 - CURRENT CONSUMPTION: < 120mA (averaged)
 - SONIC FREQUENCY: 75kHz...85kHz / 205kHz...235kHz
 - SENSING RANGE: 100±5mm...2300±5mm
 - BLIND RANGE: ≤ 100mm (object detection limited)
 - RESPONSE TIME: ≤ 3sec (Continuous level detecting without filling noise or missing echoes)
- OUTPUT FUNCTION
 - OUTPUT VOLTAGE: 0.5V±0.1V (@100mm±5mm) to 4.5V±0.1V (@2300mm±0.5mm)
 - INTERNAL SENSOR FAULT: 0.15V...0.35V
 - LOAD: ≥ 10k Ohm / ≤ 0.1uF
 - HARNESS LENGTH: ≤ 9780mm
- MECHANICAL DATA:
 - RECTANGULAR HOUSING: 115 x 70 x 48mm (without connector)
 - DIAMETER MOUNTING HOLES: 6.7mm
 - RECOMMENDED SCREWS: M6 ACC. MBN 10105
 - INSTALLATION TORQUE: 10...12Nm
 - HOUSING MATERIAL: GRIVORY XE 4027 black 9916
- AMBIENT CONDITIONS:
 - STORAGE TEMPERATURE: -40°C...+85°C
 - OPERATING TEMPERATURE: -20°C...+70°C
- SENSOR MEETS FOLLOWING REQUIREMENTS OF EMC AND ENVIRONMENT ACC. FSP
 - ELECTROMAGNETIC SUSCEPTIBILITY:
 - ISO 11452-4, BCI (2011-12) Frequency Range: 0.5...400MHz, 60mA
 - ISO 11452-2, Free Field (2004-11-01), Frequency Range: 200...2500MHz with 30V/m
 - COMPONENT LEVEL EMISSIONS: CISPR 25 (2008-03)
 - CISPR 25 (LISN-Method) Frequency Range: 0.53...2MHz;
 - CISPR 25 (CP-Method) Frequency Range: 0.53...2MHz;
 - CISPR 25 (ALSE-Method) Frequency Range: 30...2500MHz
 - ELECTROSTATIC DISCHARGE (Handling): ISO 10605 (2008-07)
 - AIR max. +/- 15kV, Contact max. +/- 8kV
 - ELECTROSTATIC DISCHARGE (Powered): ISO 10605 (2008-07)
 - AIR max. +/- 15kV, Contact max. +/- 8kV, Indirect max. +/- 15kV
 - RAPID MAGNETIC FIELD COLLAPSE TRANSIENT: 5V System
 - Vp: 450V; tau: 14.4E-6; fo: 1MHz; Zout: 50 Ohm / Cout= 0.1uF;
 - Repetition/ Cycle: 10Hz/100
 - AC POWER LINE ELECTRIC FIELDS: (SAE J1113-26)
 - Field strength: 30kV/m; Frequency: 50/60Hz; Duration: 10min
 - POSITIVE / NEGATIVE COUPLING: ISO 7637-3 (2007-07)
 - Pulse b/a: 12V-System-Settings / 5V-Powered
 - WIRING HARNESS INDUCTANCE: ISO 16750-2 (2012-11)
 - SHORT CIRCUIT PROTECTION: ISO 16750-2 (2012-11)
 - PROTECTION CLASS: ISO 20653_2013: IP67
 - RANDOM VIBRATION: IEC 600068-2-64: 10...2000Hz, 2.84 Grms, 8h/axis
 - OPERATING SHOCK: IEC600068-2-27: 3 Shocks/axis, 5G, 11ms
 - BENCH HANDLING TEST: IEC 60068-2-31: 1000mm / 1 Drop per side



Required flatness of the sensor mounting surface <0,2mm/100mm

6. PART IS MARKED WITH SUPPLIER LOGO; IDENTIFIER, SUPPLIER DATE CODE: FIRST CHARACTER = YEAR (F=2015; G=2016...); SECOND AND THIRD CHARACTER = CALENDAR WEEK; FOURTH CHARACTER = WEEKDAY (1 MONDAY, 2 TUESDAY.....)

This drawing is OUR PROPERTY and may not be copied, recreated or made available to any third party without prior permission	Qty	Item		Pos.	Material			Remarks		
	Rev	Drawn	Approved	Rev	Drawn	Approved	deburred	Project 10714017 Baumer		
	Mod			Mod				Replaced by		
								Replacement for		
<p style="color: red; font-size: 1.2em;">U750.DB5-UA1Z.73D/E005</p> <p style="color: red; font-size: 1.2em;">PART NUMBER: 11171931</p>							Scale	Drawn	02.04.2015	cg
							1:1	Checked	22.06.2016	rma
								Approved	15.11.2016	rma
<p>Baumer Baumer Electric AG Postfach · Hummelstrasse 17 · CH-8501 Frauenfeld Phone +41 (0)52 728 11 22 · Fax +41 (0)52 728 11 44</p>							11171931	U70.3003		